

SCISSORS & SCOTCH

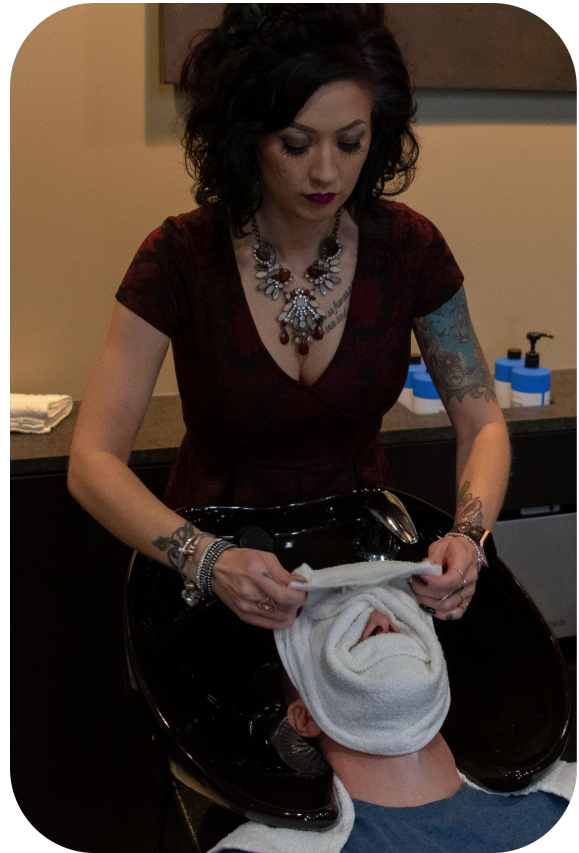


DESIGN MANUAL 2023

v3.2 11/23



A - Finishes	
• Paint	A1
• Concrete Floor	A2
• Granite Countertops	A3
B - Wallcoverings	
• Feature Wall w/ SS Sign	B1-3
• Wainscoting	B4-7
• Accent/Back Bar Wall Tile	B8
• Bathroom Wall Tile	B9
• Wall Base Trim	B10
C - Specialty Finishes	
• Cloud Ceiling Panels	C1-3
• Bar Shelving	C4-5
D - Millwork	
• Reception Desk	D1
• Retail Display	D2
• Barber Stations	D3
• Back Bar Cabinets	D4
• Front Bar Cabinets	D5
• Shampoo Cabinets	D6
• Prep Area Cabinets	D7
• Break Room Cabinets	D8
• Master Barber Cabinets	D9
• Tall Storage Lockers	D10
• Lockers	D11
• Bar Panels	D12
E - Lighting	E1-4
F - Elements	
• Barber Chairs/Comfort Mats	F1
• Shampoo Shuttles	F2
• Bar Foot Railing	F3
• Bar Equipment	F4
G - Interior Doors	
• Glass Door/Sidelite	G1-2
• Solid Core Doors	G3-4
• Hollow Core Pocket Door	G5
H - Misc.	
• Bathroom Accessories	H1
• Bathroom Signage/Mirrors	H2
• Sinks/Faucets	H3-H5
• Sinks/Faucets - Alt.	H6
• USB Outlets	H7
I - Signage	
• Exterior Storefront Sign(s)	I1
• Exterior Coming Soon Graphics	I2
CL - Change Log	CL





Provider - General Contractor

Installer - General Contractor

Manufacturer - Sherwin-Williams

Paint products on Drywall Walls/Ceiling

First coat on raw drywall & raw drywall ceilings - Primer/Sealer

- Sherwin-Williams ProMar 200 Zero VOC Interior Latex Primer, B28W02600

First coat on open ceilings - Primer/Sealer

- Sherwin-Williams primer/sealer appropriate for conditions and compatible with second/third coats

Second and third coats on Open ceilings & Drywall ceiling per plans

- Sherwin-Williams ProMar 200 Zero VOC Interior Latex – **GWB1 (Black Fox) Flat Finish**

Second and third coats on Bar walls, Lounge Walls, Master Barber Walls @ all walls above 10'

- Sherwin-Williams ProMar 200 Zero VOC Interior Latex – **P1 (Black Fox) Eggshell Finish**

Second and third coats on Grooming walls and/or Grooming walls above WC up to 10'

- Sherwin-Williams ProMar 200 Zero VOC Interior Latex – **P2 (Prairie Grass) Eggshell Finish**

Second and third coats on Grooming drywall ceilings per plans (as applicable)

- Sherwin-Williams ProMar 200 Zero VOC Interior Latex – **GWB2 (Prairie Grass) Flat Finish**

Second and third coats on Restroom drywall ceilings

- Sherwin-Williams ProMar 200 Zero VOC Interior Latex – **GWB3 (Iron Ore) Flat Finish**

Paint products on Metal Door Frames, Exposed Steel Columns

First coat

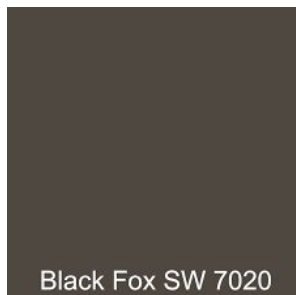
- Sherwin-Williams Pro Industrial Pro-Cryl Universal Primer, B66W310

Second and third coat

- Sherwin-Williams ProMar 200 Zero VOC Latex - **P1(Black Fox) Eggshell Finish**

Paint products on All custom galvanized pipe accessories

- Sherwin-Williams Pro Industrial Direct To Metal Acrylic Primer/Finish – **P4 (Flat Black)**



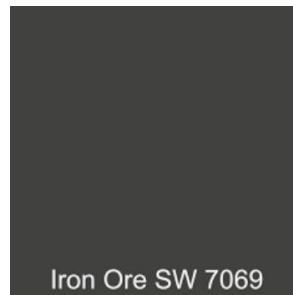
Black Fox SW 7020

P1 / GWB1



Prairie Grass SW 7546

P2 / GWB2



Iron Ore SW 7069

GWB3



P4



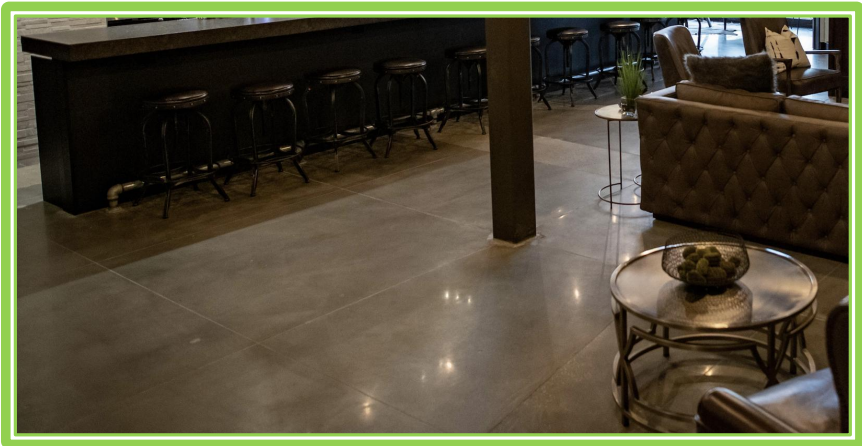


Provider - General Contractor

Installer - General Contractor

Concrete Floors Throughout entire space (SC1)

- GC to repair/patch any damage to existing concrete to obtain a smooth flat surface
 - *Structural relief cuts and/or expansion joints to be filled*
- Grind to smooth flat surface and seal
 - **SC1 (Sherwin Williams Resutile transparent polyurethane semi-gloss sheen)**



APPROVED SC-1 FINISH EXAMPLES



INSUFFICIENT BLENDING AND COLOR CONSISTENCY





Provider - General Contractor

Installer - General Contractor

Granite Countertops on **Bar Top, Shampoo Counter, Restroom Counters, Prep Area Sink Counter & Check Writing Ledge @ Reception** (also required at corner millwork in Master Barber as applicable, not all locations will have a Master Barber)

Finish (SS1) Approved options based on availability/price shown below. *GC to confirm with Franchisee on all pricing options before making selection.*

*regardless of spec surfaces to be 1-1/4" granite w/ **brushed (or leathered) finish** & smooth, 1/8" eased edge w/ polished corners only. No polished working or facing surfaces allowed.

- India Black Pearl
- Absolute Black

Granite holes - polished rounded corners

- All granite holes for cords cut directly in line with receptacles
- Field cut holes for faucets so faucet stream lands on center of drain
- Field cut single large tap tower/drain hole so tap connects directly to kegerator - **EX:**



- Refer to construction/shop drawings for details and granite hole locations at shampoo/bathrooms



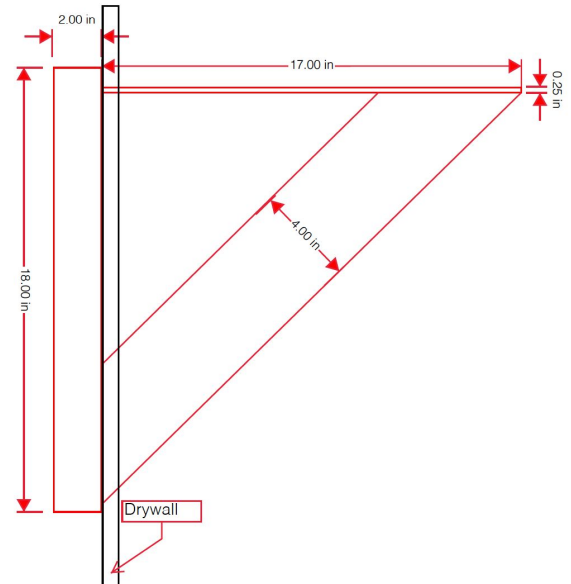
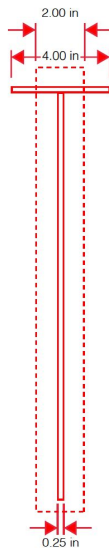
India Black Pearl



Absolute Black

Back Bar Countertop Bracing

- Brace components to have welded connections
- Brace attached to wall framing to include sufficient blocking/attachment to wall framing as needed
- Refer to construction drawings for est. install location(s)
- **GC to confirm install location to ensure bracing does not interfere with under bar equipment placement**



B - Wallcoverings - Feature Wall/SS Sign



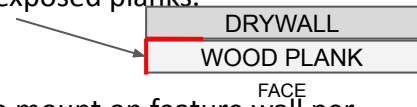
Provider - SSD

Installer - General Contractor

Finish (WD1) - Jasper National Hickory Appaloosa engineered flooring planks

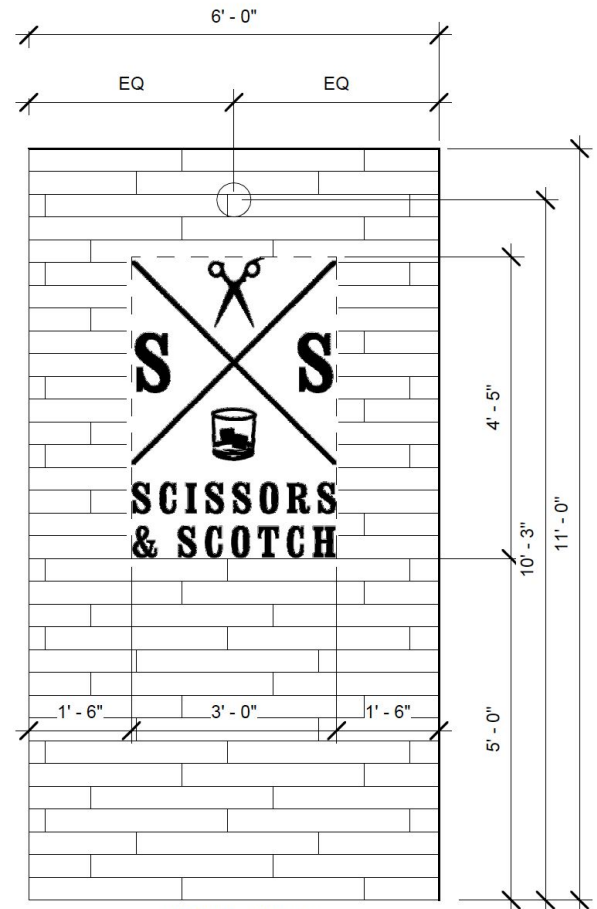
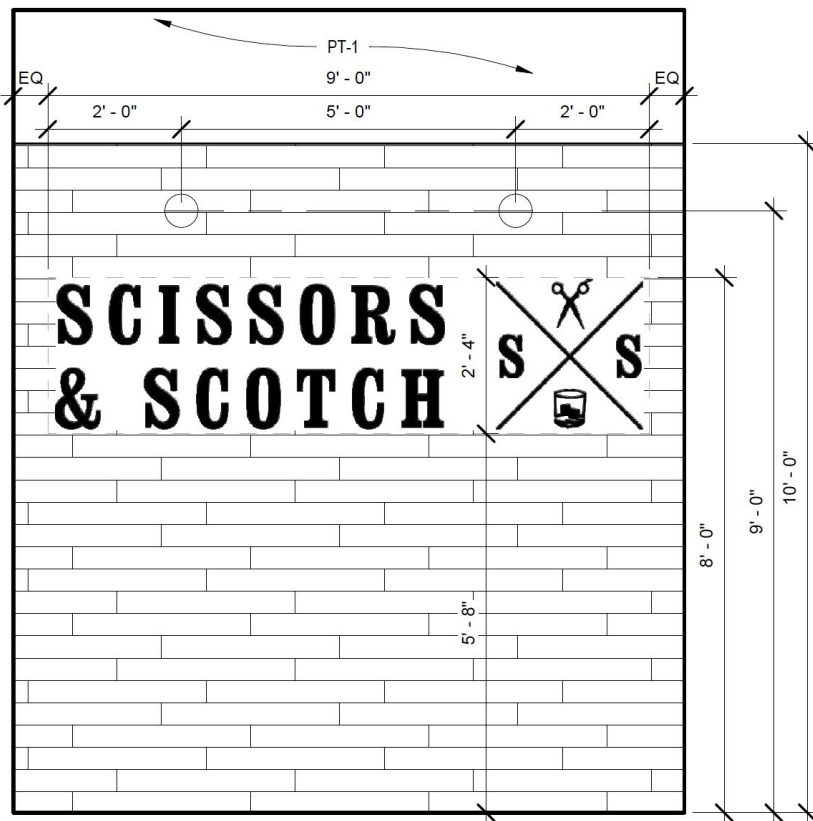
Pre-Manufactured Wood Plank feature wall per construction drawings

- Planks set horizontally, random stagger, floor. Factory groove side of planks at floor - tongue edge trimmed at AFF per construction drawings for clean flat edge.
- GC to finish vertical edge(s) with black 90 degree brake metal ($\frac{3}{4}$ " O.D. legs) or black schluter. One leg between plank and wall, other leg covering the raw edge(s) of exposed planks.



Stainless Steel Sign w/ Logo at Entry

- Sign delivered w/ studs attached and mounting template. GC to mount on feature wall per construction drawings



NOTE: BLK SHLUTER ON EXPOSED VERTICAL EDGES ONLY. WOOD TO CONTINUE BEHIND SIGNAGE

WOOD TO CONTINUE BEHIND SIGNAGE

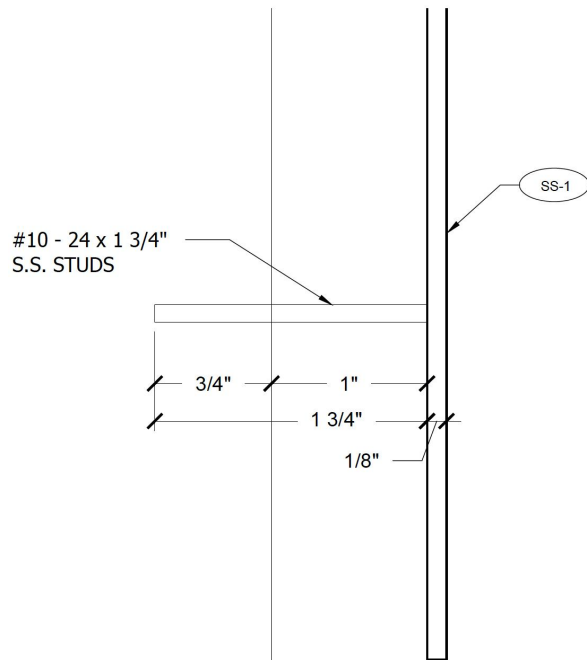
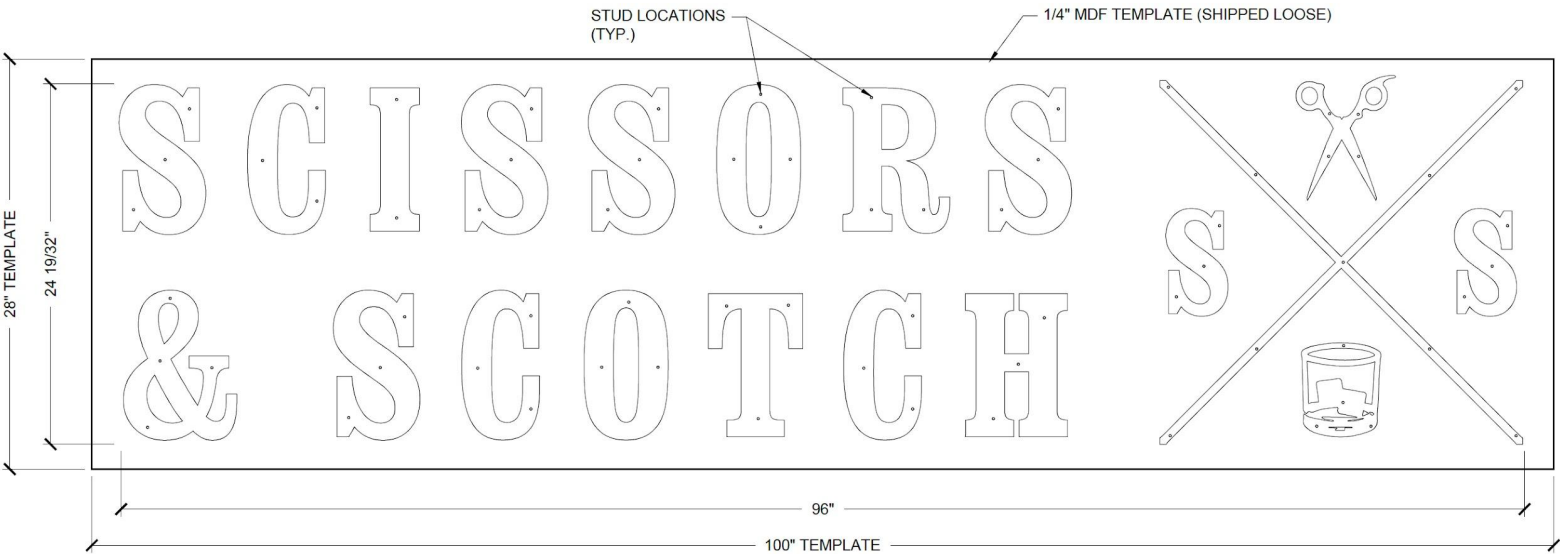
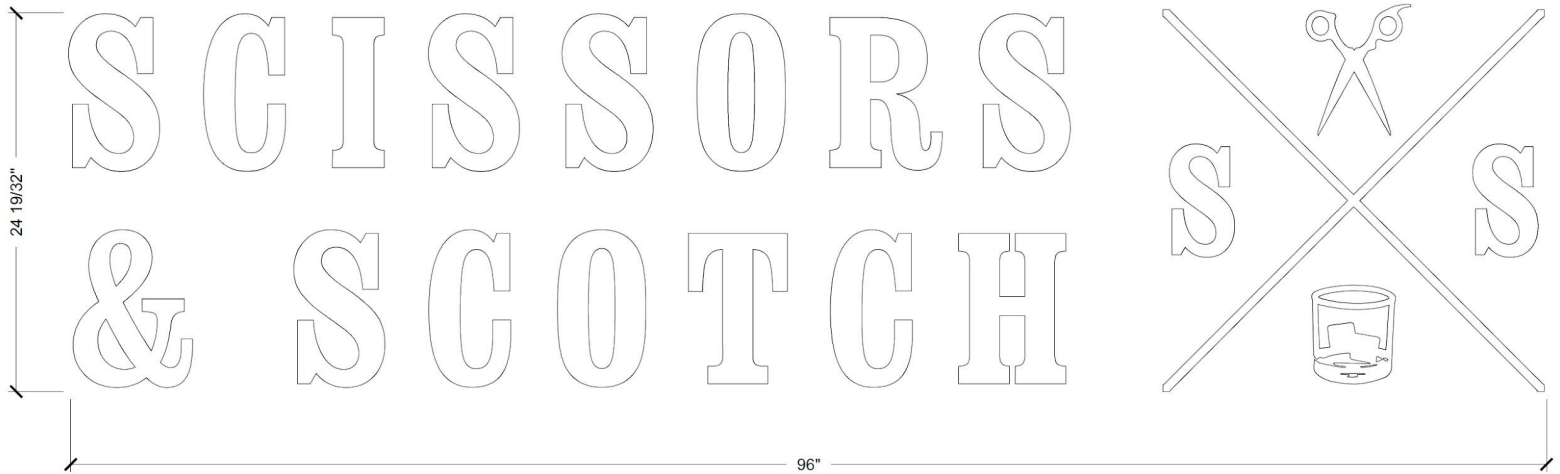
*Drawings for reference only, refer to construction drawings and/or shop drawings per location



B - Wallcoverings - Feature Wall/SS Sign



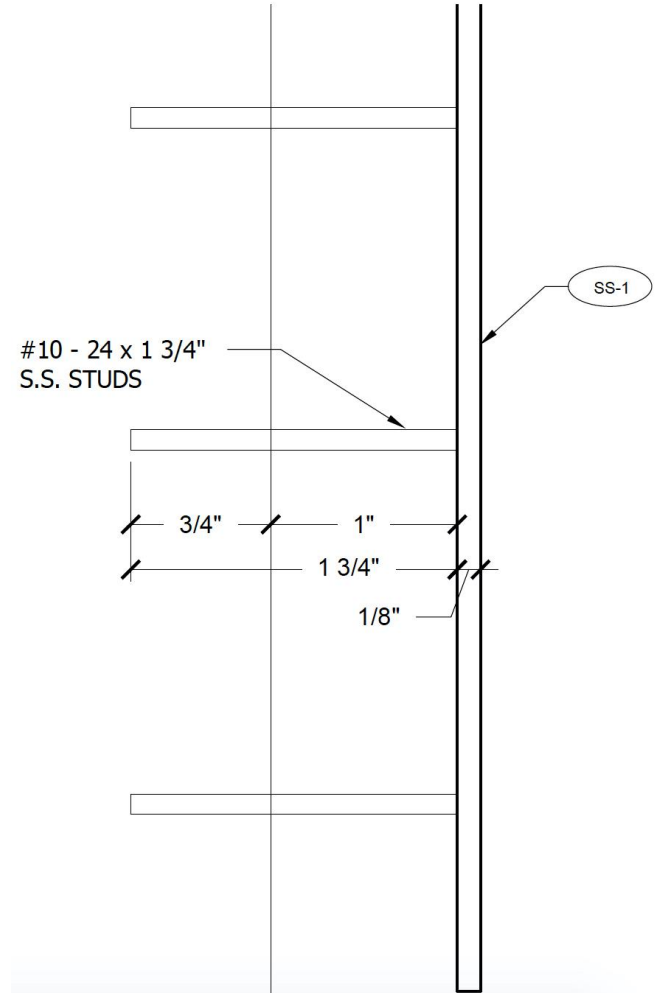
*Option 1 - Drawings for reference only - see construction drawings & approved shop drawings per location – Drawings not to scale



B - Wallcoverings - Feature Wall/SS Sign



*Option 2 - Drawings for reference only - see construction drawings & approved shop drawings per location – Drawings not to scale





Provider - General Contractor

Installer - General Contractor

Finish - (WC1) - REQUIRES SAMPLE APPROVAL VIA SSD TEAM

Wood Type - Clear Radiata Pine (to ensure stain match to vendor provided WC1)

Wainscoting in Styling Room

- GC to provide & install WC and top rails per the specs on the following pages.
- Prior to install, use laser level to determine for floor slope, max ½" gap at floor allowed. If gap is greater than ½" contact SSD.
- Install & finish WC only after all painting has been completed.

Anchoring hardware

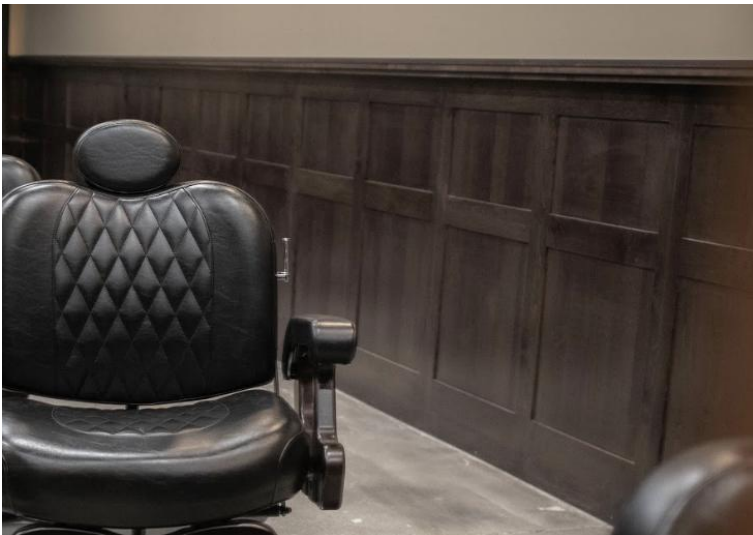
- GC to provide 18-gauge anchoring nails
- See shop drawings for face nail placement

Top Rail two (2) piece *(see next page, B5)*

- Fabricate in 10' lengths to ensure straight sightlines and minimize seams
- Do not place a top rail seams at panel seams

Final Finish

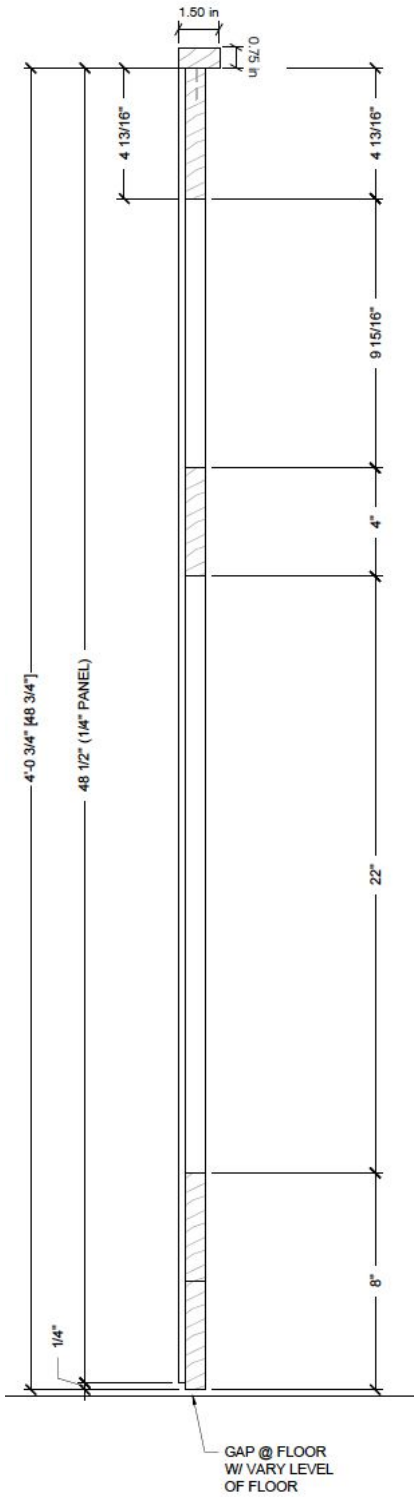
- Cloud ceiling vendor will supply 2 gallons of stain and an alder stain sample to match cloud ceiling trim
- Sand to fine smooth finish and fill all nail holes, finish to match with a satin clear coat.
 - Sand to 150 grit (critical)
 - M.L. Campbell conditioner/sealer
 - 1 seal coat
 - 2 top coats
 - Satin clear coat



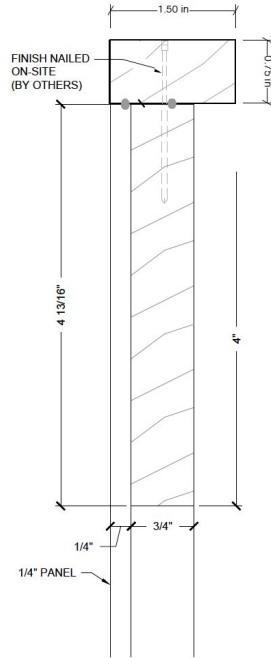
B - Wallcoverings - Wainscoting



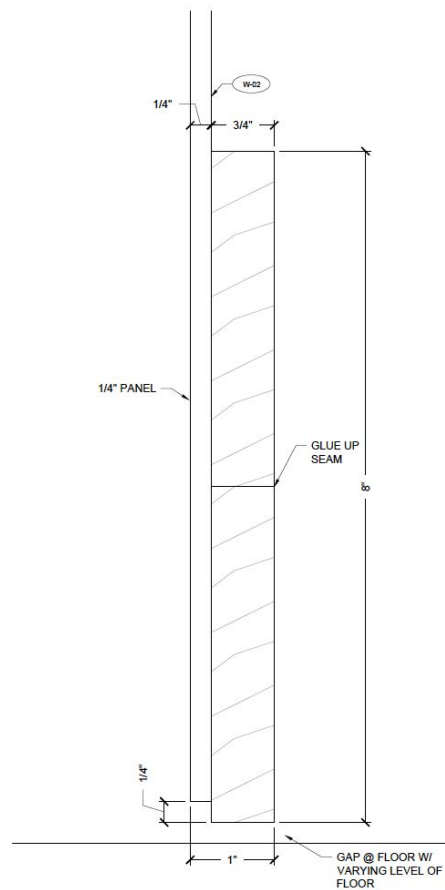
*For design reference - have contractor adhere to provided dimensions



WAINSCOT - TOP RAIL DETAIL



WAINSCOT - MID-RAIL DETAIL

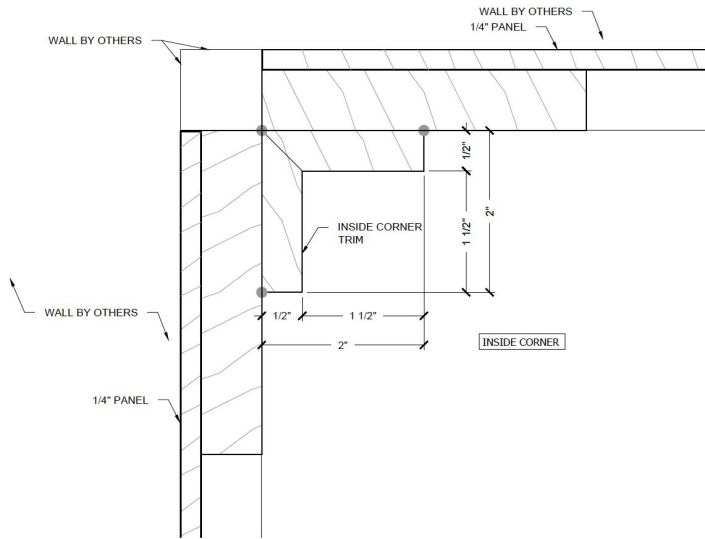


WAINSCOT - BOTTOM RAIL DETAIL

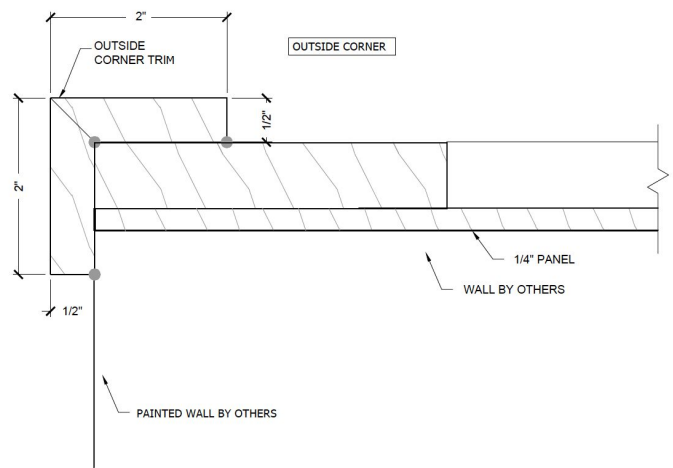




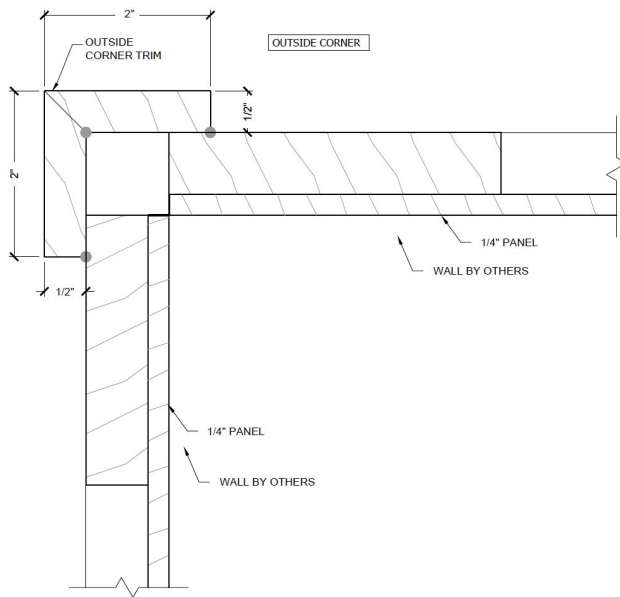
**For design reference - have contractor adhere to provided dimensions*



WAINSCOT - INSIDE CORNER DETAIL



WAINSCOT - STRAIGHT RUN END DETAIL



WAINSCOT - OUTSIDE CORNER DETAIL

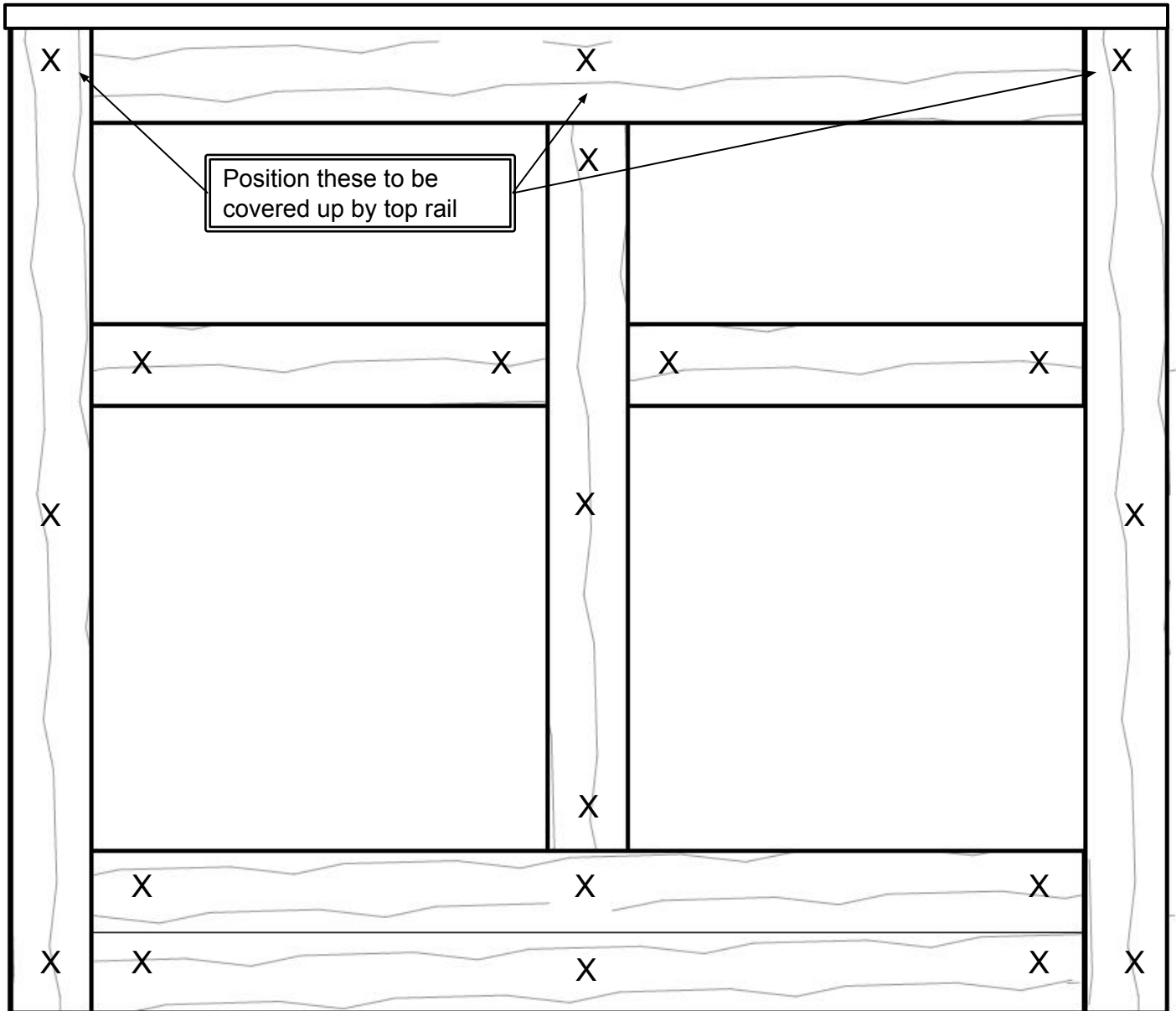
Finish Note

- If WC meets millwork ensure scribe is left larger than $\frac{3}{4}$ " so as not to interfere with millwork door operation





- X = visible face nail locations for attachment
- Hide panel attachment nails under face trim
- Installer to fill all visible nail holes at face trim and touch up with stain to match



B - Wallcoverings - Accent/Bar Wall Tile



Provider - General Contractor

Installer - General Contractor

Finish - (T1) Quartz White 3D porcelain tile (NO VISIBLE GROUT LINES)

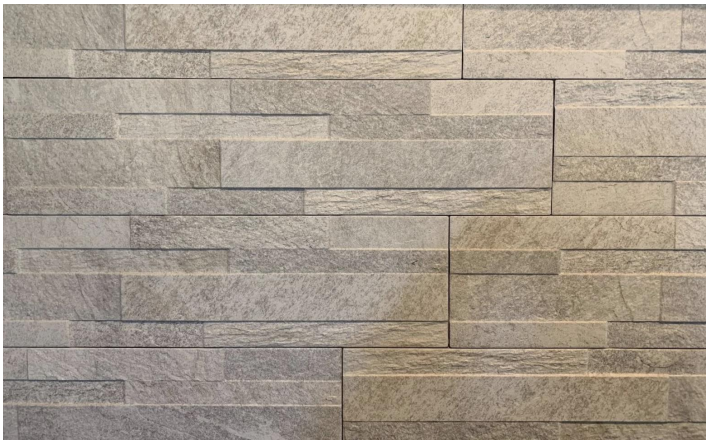
Size - 6" x 24"

Wall tile at Prep Area Back Wall & Back Bar Wall

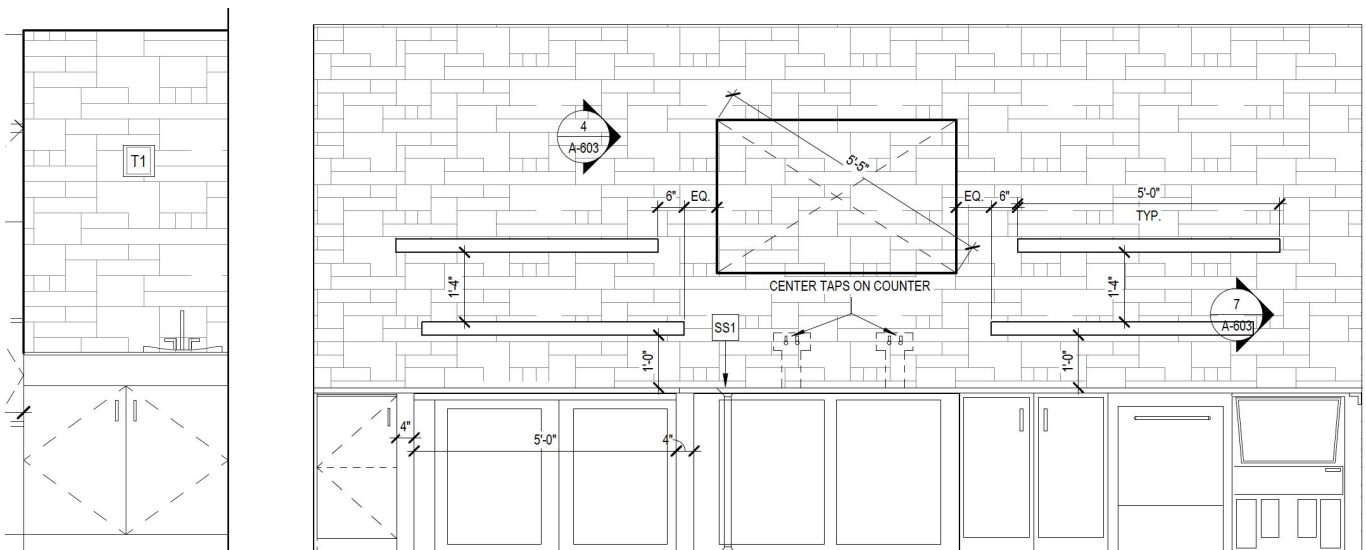
- Horizontally stacked w/ offset pattern up to 12' AFF - refer to construction drawings
- Where applicable, finish edge(s) of tile with brushed satin aluminum schluter strips - by GC
- GC can source locally and determine appropriate lead time (KC vendor available if local vendors cannot source - CST Tile 913.645.8380 Shelley@csttile.com and kami@csttile.com)

Manufacturer: Rondine

Name: Quartz White 3D



*Drawings for reference of tile direction only, refer to construction drawings per location





Provider - General Contractor

Installer - General Contractor

Finish - (T2) Koshi 36N porcelain tile

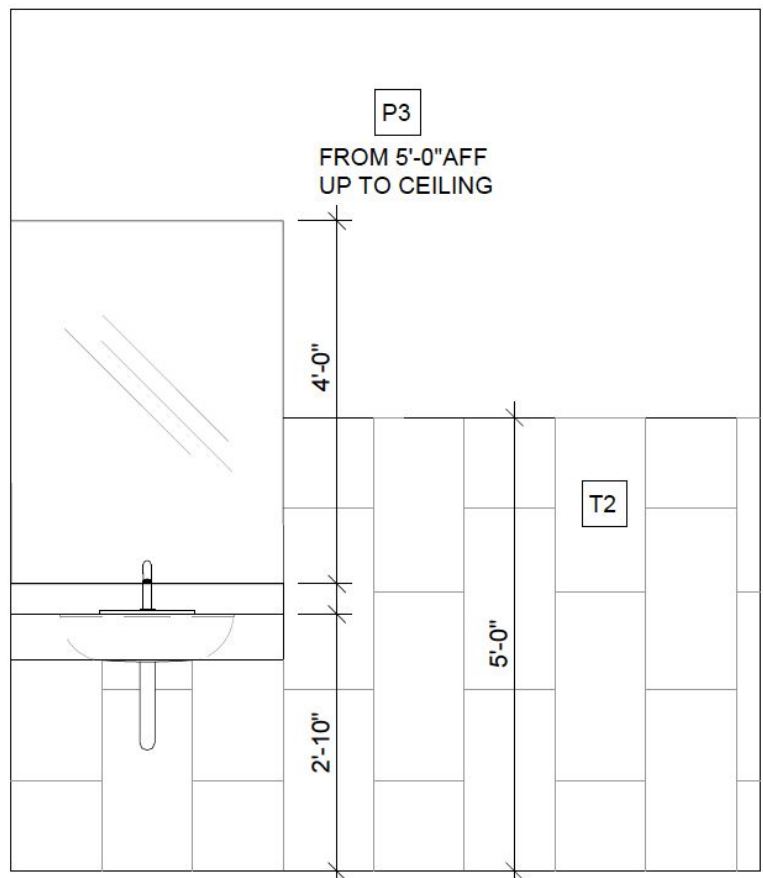
Size - 12" x 24"

Wall Tile in Restrooms

- Black grout sourced by GC
- Vertically stacked with ½ offset pattern to 5' AFF
- GC can source locally and determine appropriate lead time (KC vendor available if local vendors cannot source - CST Tile 913.645.8380 Shelley@csttile.com and kami@csttile.com)

Manufacturer: Imola

Name: Koshi 36N



*Drawings for reference of tile direction only, refer to construction drawings per location

B - Wallcoverings - Wall Base Trim



Provider - General Contractor

Installer - General Contractor

Mandalay
MW-XX-H6

Base Trim in Lounge, Entry, Styling & Master Barber

- Install only on walls with drywall base (not for use on walls with wainscoting)
- Miter & glue corners - install per manufacturer instructions
- May have up to 6 week lead time, schedule order placement accordingly

Finish - (RB1) Millwork wall finishing system, Mandalay 6" MW-XX-H6

Color - Black

Size - 6" x .375"

Manufacturer/Distributor - commercial.tarkett.com , 800-899-8916 or local supplier

Installation - Install per manufacturer's instructions including, not limited to: All walls must be free of dust, oil, compounds or other foreign material. Trim cannot be installed over vinyl wallcoverings. It is best to install on a primed wall. If the wall is painted, scuff up the wall and remove any dust prior to installation. Apply the adhesive to both the back of the trim material and the wall. Apply adhesive at miters. (Tarkett 946 Premium Contact Adhesive)



Base Trim in Break Room & Bar

- Install only on walls with drywall base (not for use on walls with wainscoting)
- Install per manufacturer instructions

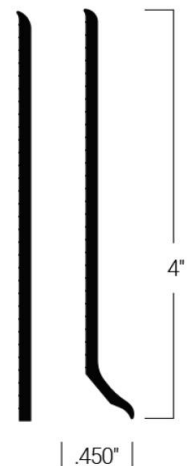
Finish - (RB2) – Traditional 1/8" Rubber Wall Base

Color - Black

Size - 4" x .450"

Manufacturer/Distributor - commercial.tarkett.com , 800-899-8916 or local supplier

Installation - Install per manufacturer's instructions including, not limited to: All walls must be free of dust, oil, compounds or other foreign material. Trim cannot be installed over vinyl wallcoverings. It is best to install on a primed wall. If the wall is painted, scuff up the wall and remove any dust prior to installation. Apply the adhesive to both the back of the trim material and the wall. (Tarkett 946 Premium Contact Adhesive)





Provider - SSD

Installer - General Contractor

Cloud Ceiling in Grooming over Barber Stations

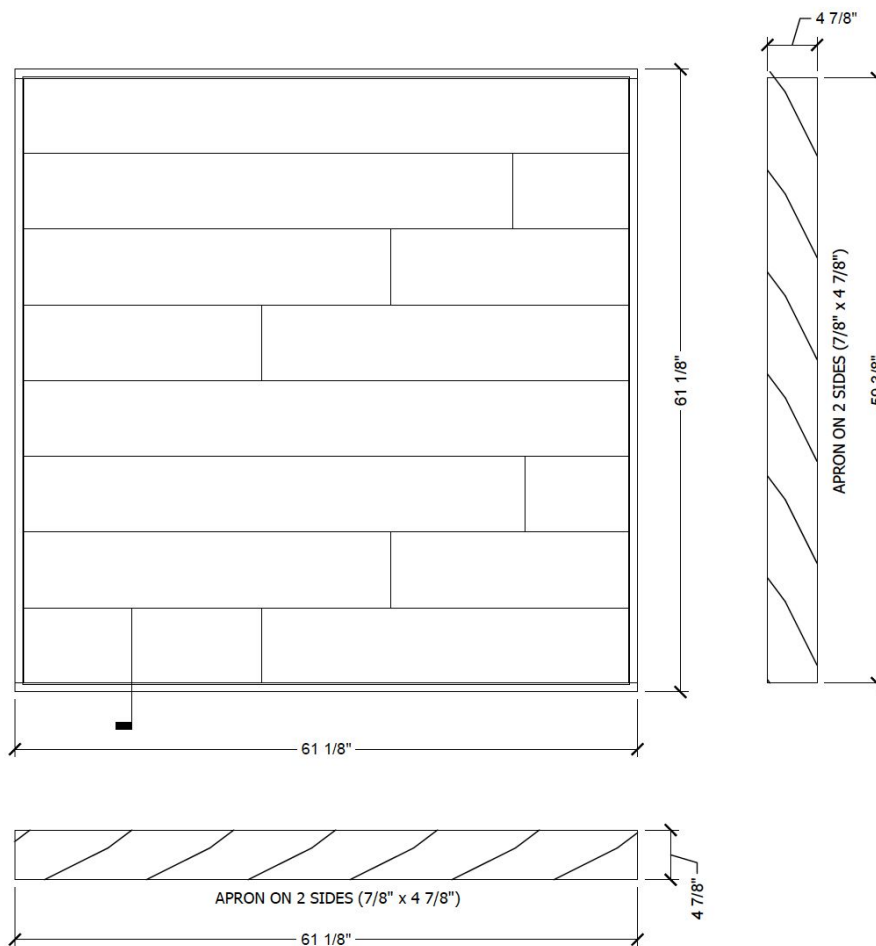
Finish - (WD1/WC1) Jasper National Hickory Appaloosa engineered flooring planks w/ WC1 wood perimeter skirting

Panel Size - 61-1/8" x 61-1/8" x 4-7/8"

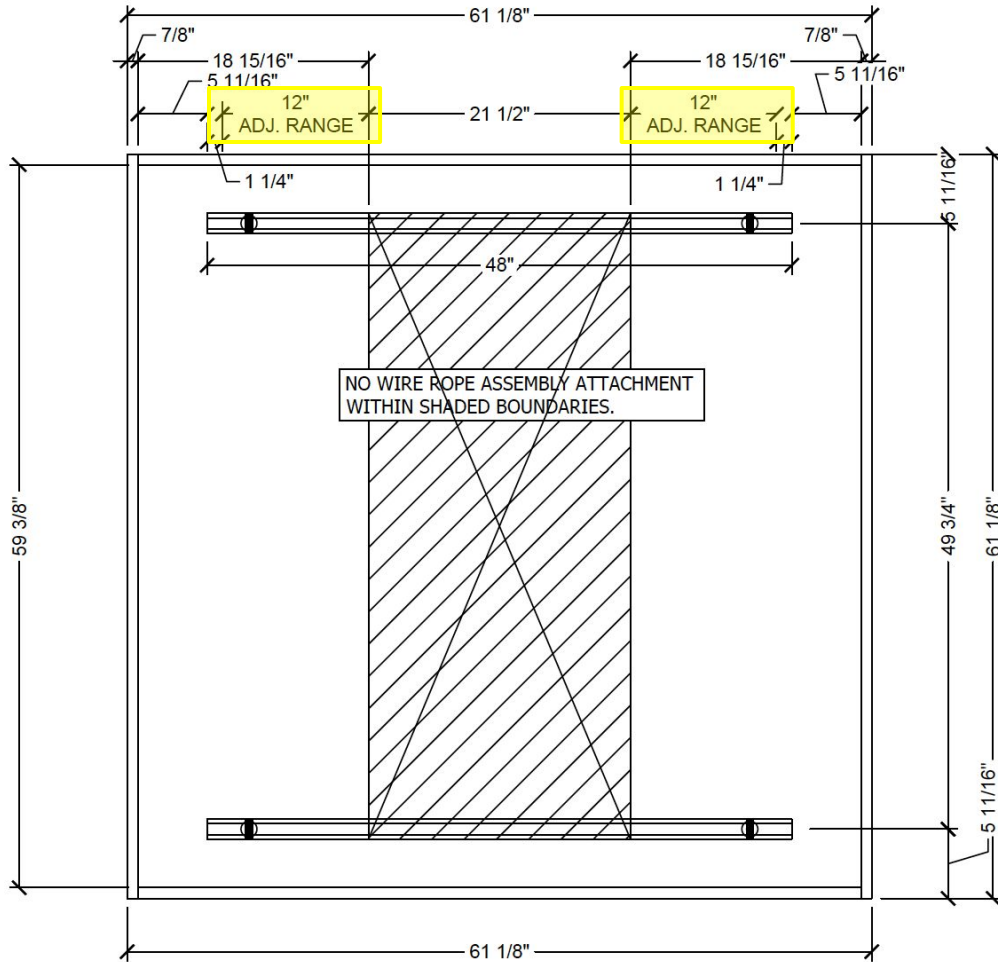
Qty. 8 - 12 panels per location, refer to construction drawings

Installation

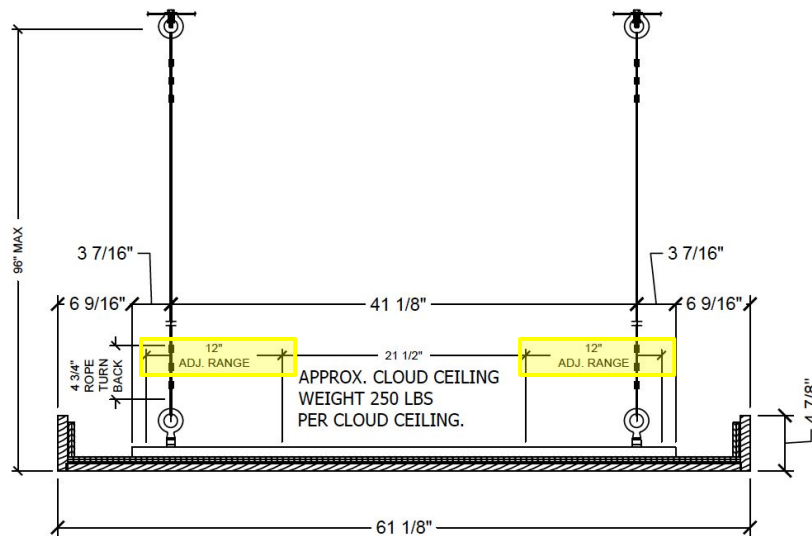
- Panels come assembled
- GC to provide/install hanging structure in ceiling and paint P1 (same color as ceiling)
- Panels come with hanging hardware to attach to structure by GC (see shop drawings)
- Panel location/spacing/AFF per construction documents
- GC to field cut holes for lighting install per SSD supplied lighting



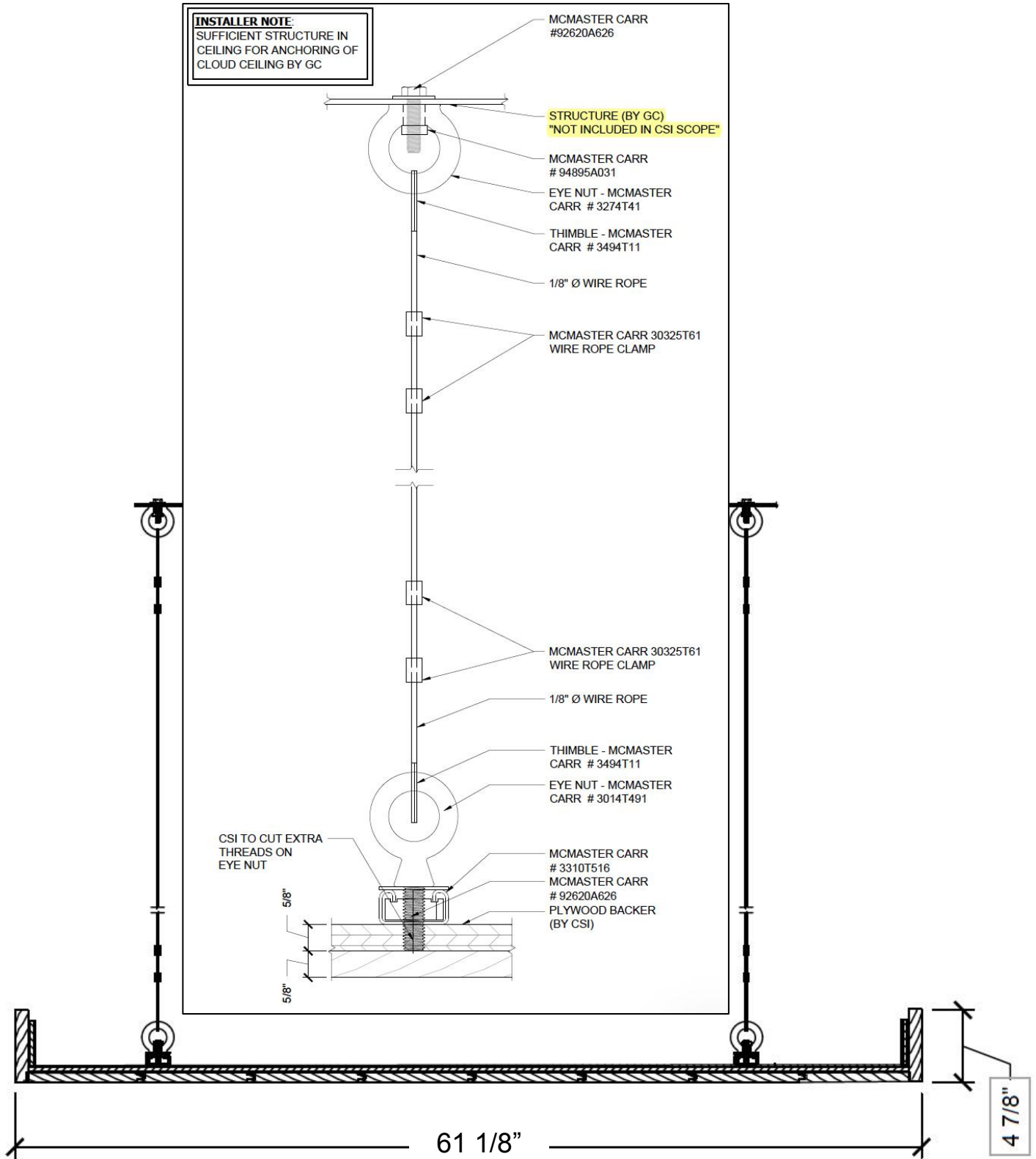
*Shop drawings for reference only - see construction drawings & approved shop drawings per location – Drawings not to scale



Attach hanging hardware only within highlighted 12" area to maintain engineering requirements - Shift hardware within as needed to attach to structure



*Shop drawings for reference only - see construction drawings & approved shop drawings per location – Drawings not to scale



*Shop drawings for reference only - see construction drawings & approved shop drawings per location – Drawings not to scale





Provider - SSD

Installer - General Contractor

Floating Wood Clad Bar Shelving at Back Bar Wall

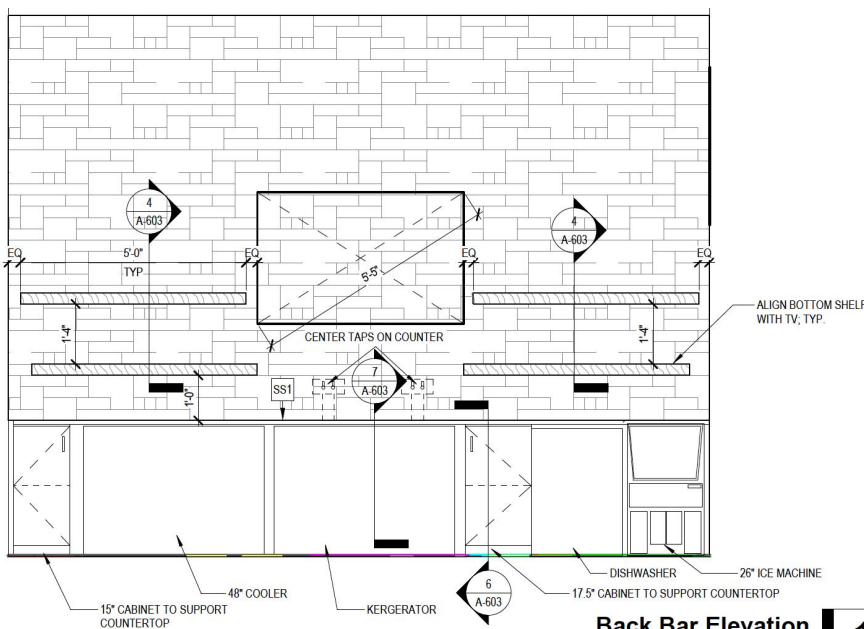
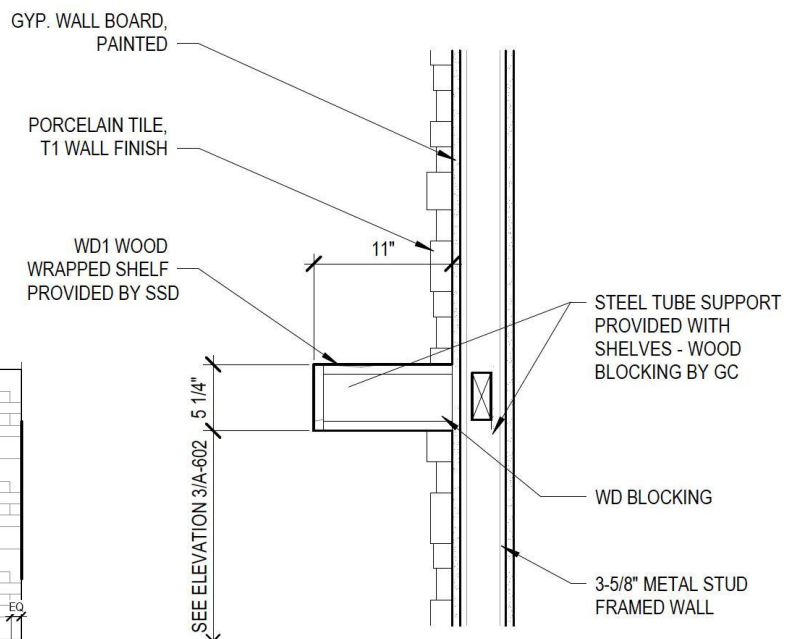
Finish - (WD1) Jasper National Hickory Appaloosa engineered flooring planks

Size - 5' x 11" x 5-1/4" or 4' x 11" x 5-1/4" (Refer to architectural drawings to confirm size)

Qty - 4 per location

Installation

- Bottom of lowest bar shelves 12" from surface of back bar countertop
- Bottom of top shelves 16" from top of bottom shelf
- Stagger bottom shelves inset 6" from top shelves
- GC to provide wood 4x4 blocking in walls per shelf location
- Shelves to mount to surface of drywall (not directly on tile face - finish tile to surround shelves).
- Steel mounting bracket and anchoring hardware provided with shelving.

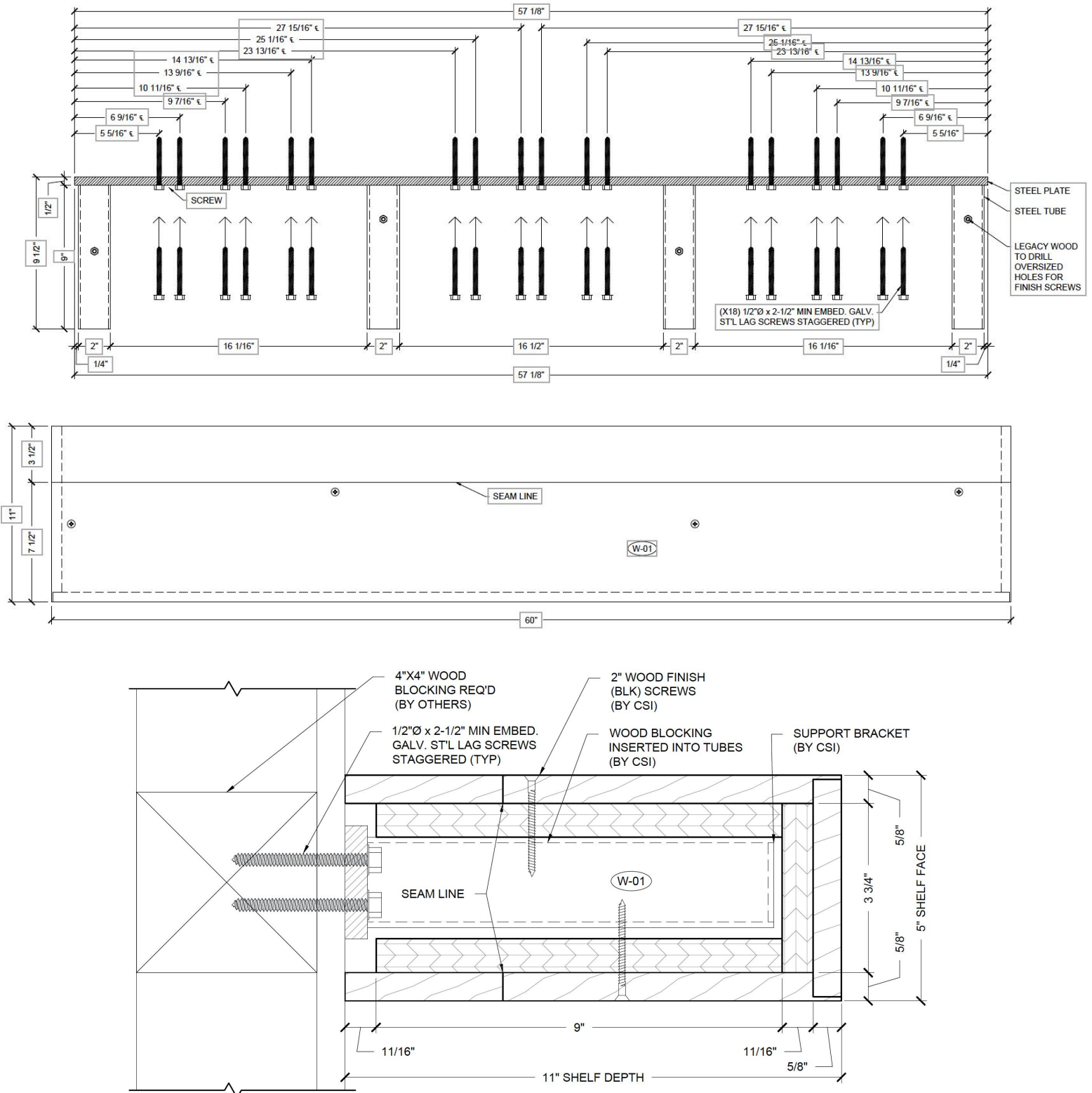


Back Bar Elevation 1
1/2" = 1'-0"





*Shop drawings for reference only - see construction drawings & approved shop drawings per location



D - Millwork - Reception Desk



Provider - SSD

Installer - General Contractor

Reception Desk

Install

- Refer to construction drawings
- GC to unload upon delivery

Provider - General Contractor

Installer - General Contractor

Check Ledge & Supports

Countertop Finish - (SS1) w/ brushed finish & smooth rounded, polished corners

Size - 28" x 8" x 1.25", Center on 10" top shelf

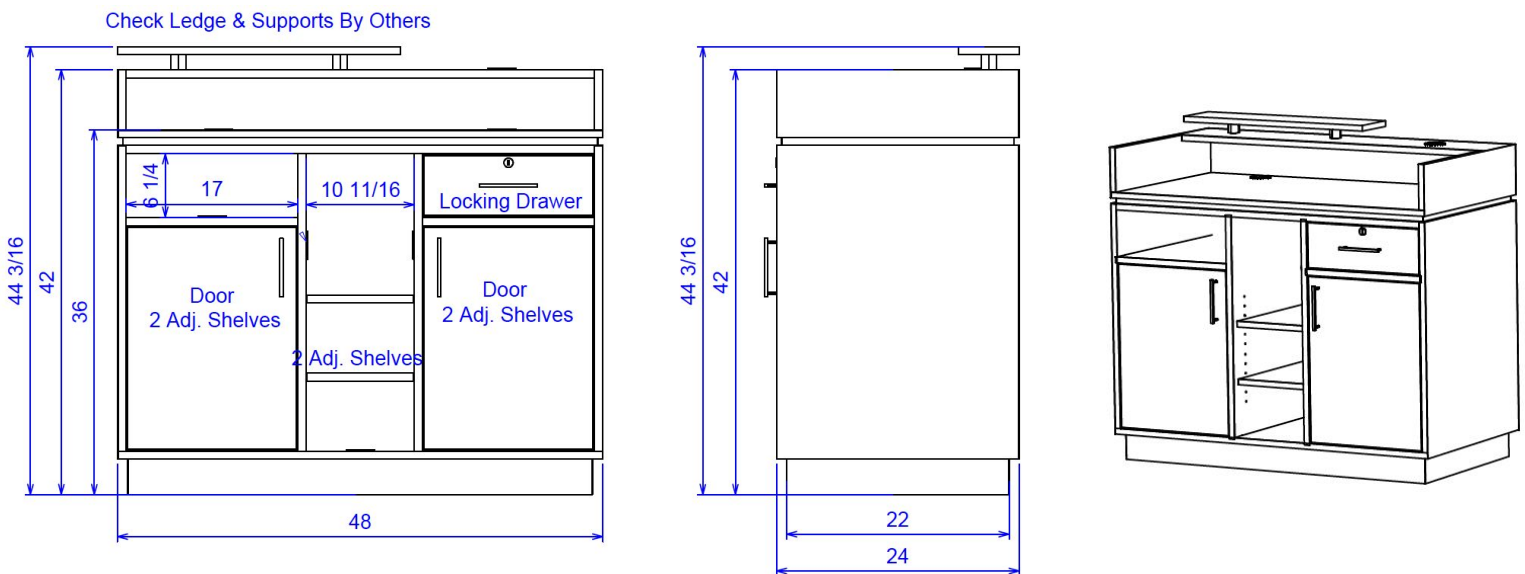
Fittings for Supports

- 1" dia. x 2-1/2" galvanized steel nipple (x3)
- 1" Floor flanges (x6)



Finish - Prep and finish pipe with spec'd flat black DTM paint per *A-Finishes-Paint* (page A-1). Clean raw pipe with water-based degreaser to remove oils. Sand prior to applying finish to ensure adhesion.

Anchoring Hardware - GC to provide sufficient anchoring hardware and finish heads to match



*Drawings for reference only, refer to construction drawings and/or shop drawings per location

D - Millwork - Retail Display



Provider - SSD

Installer - General Contractor

Retail Display

Quantity - TBD on space design, refer to construction drawings and vendor shop drawings

Installation - GC to provide blocking in lieu of drywall behind millwork only to allow secure anchoring. No blocking visible upon installation

- Space bottom shelves with 12.75" vertical spacing from top of cabinets and remaining shelves at 12-3/4" spacing
- GC to unload upon delivery



Provider - SSD

Installer - General Contractor

Top Display Trim

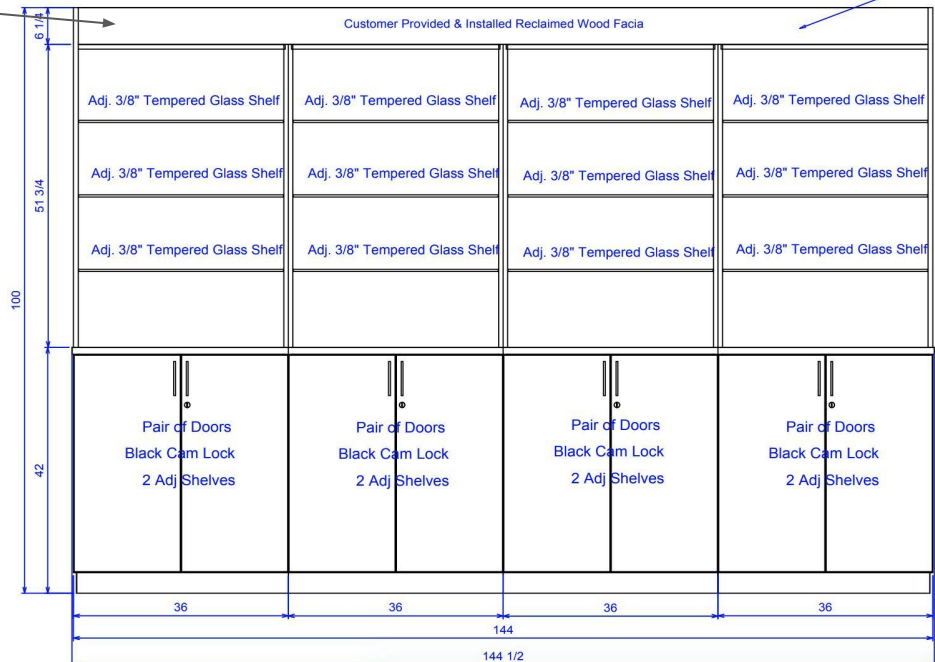
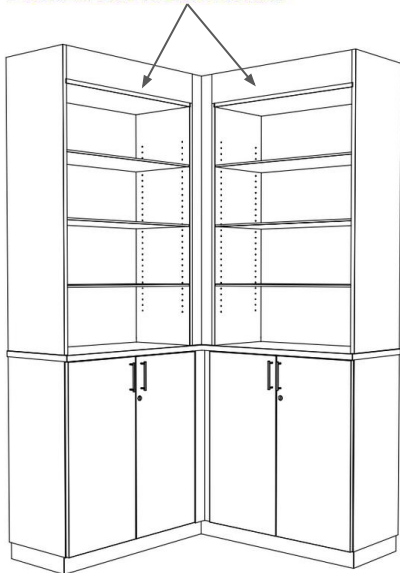
Finish - (WD1) Jasper National Hickory Appaloosa engineered flooring planks

Plank Size - 6' x 7.44" x 5/8"

Installation - GC to install wood plank trim at top of retail display with provided flooring planks (2 planks)

- Rip planks lengthwise to fit notched recess at top horizontal
- Center plank seam and trim outside ends
- Stain any visible raw cut edges to match face

Interior Sides Are Notched To Accept Reclaimed Wood. Finished Ends Are Not Notched So That Cut Ends Of Reclaimed Wood Are Hidden



*Optional layout shown

*Drawings for reference only, refer to construction drawings and/or shop drawings per location





Provider - SSD

Installer - General Contractor

Double Sided Barber Stations

Quantity - 4-6 stations per location, confirm qty. and orientation per construction drawings

Mirror Size - 67-1/8" x 27" (x2 per station)

Install - GC to unload upon delivery.

- GC to anchor barber stations per manufacturer recommendation:
Anchor to the floor using 2x4 pine blocking. Attach 2 pieces of blocking to the floor with Tapcons or sleeve anchors then screw through the face of the toe kick into the blocking to anchor..

Provider - SSD

Installer - General Contractor

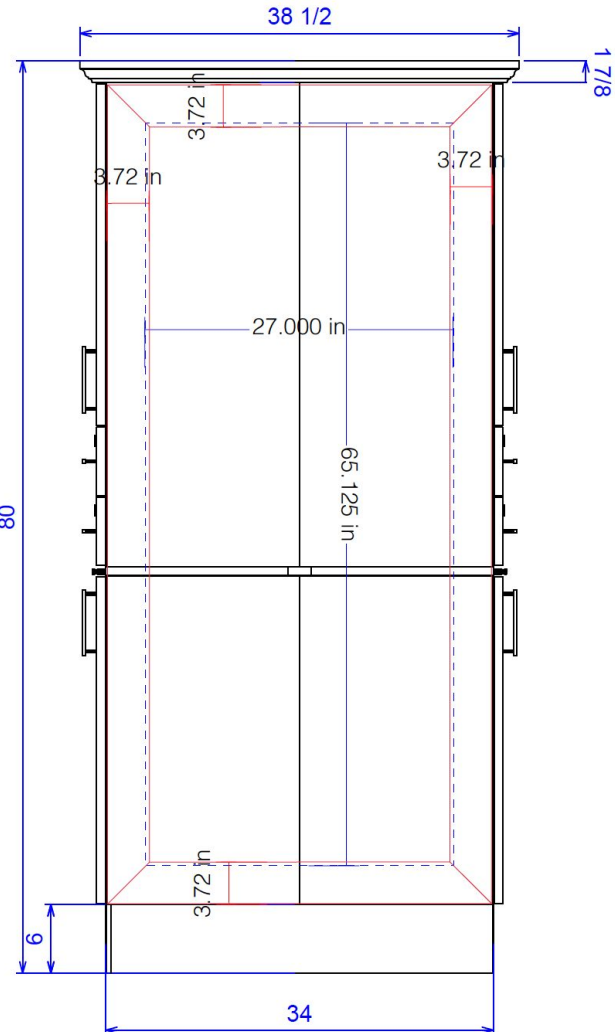
Mirror Trim

Finish - (WD1) Jasper National Hickory Appaloosa engineered floor

Plank Size - 6' x 7.44" x 5/8"

Installation - GC to frame mirrors with provided flooring planks

- Use (2) 6' planks per side
- Trim off tongue
- Rip planks lengthwise in half to equal widths of ~3.72"
- 45 degree mitre at corners
- Set mirror in existing plank grooves
- Start lower horizontal frame directly on top of 6" base
- Securely affix (no visible screw heads)
- Cover exposed vertical cut edges with 9/16 black wall angle or black painted break metal w/ one leg behind frame and other leg covering exposed cut edges



*Drawings for reference only, refer to construction drawings and/or shop drawings per location



D - Millwork - Back Bar Cabinets



Provider - SSD

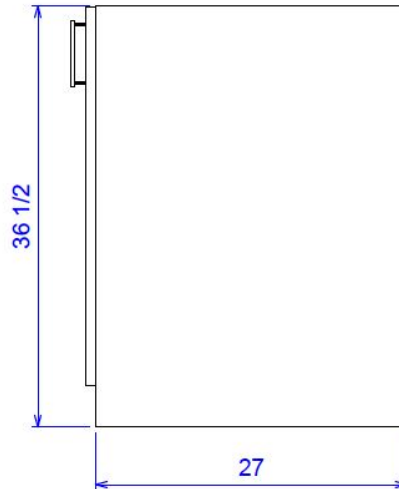
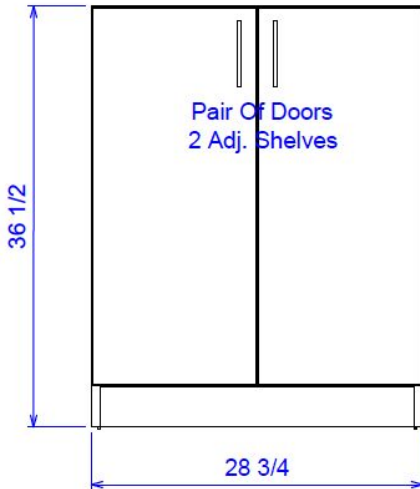
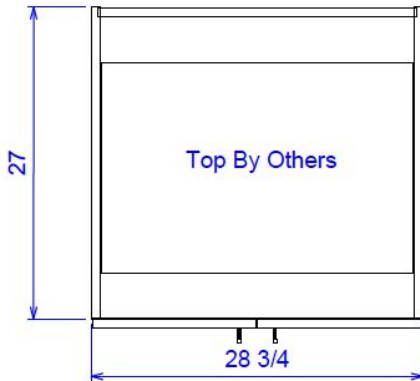
Installer - General Contractor

Quantity - TBD, refer to construction drawings

Size - TBD on space design, refer to construction drawings and vendor shop drawings

Install

- GC to unload upon delivery
- If shown in drawings, these will act as back counter top support (if no cabinets are shown or additional support is required, GC to refer to A3 for countertop brackets)



*Drawings for reference only, refer to construction drawings and/or shop drawings per location

D - Millwork - Front Bar Cabinets



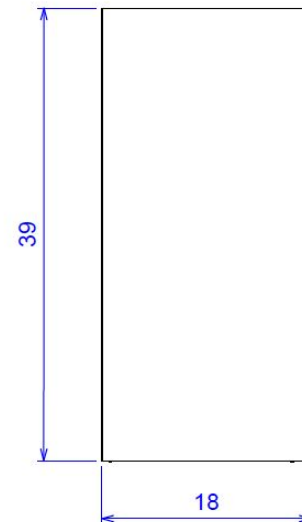
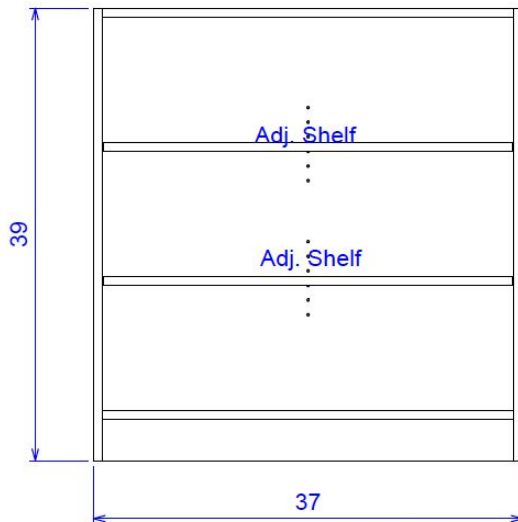
Provider - SSD

Installer - General Contractor

Quantity - TBD, refer to construction drawings

Size - TBD on space design, refer to construction drawings and vendor shop drawings

Install - GC to unload upon delivery



*Drawings for reference only, refer to construction drawings and/or shop drawings per location

D - Millwork - Shampoo Cabinets



Provider - SSD

Installer - General Contractor

Quantity - TBD, refer to construction drawings

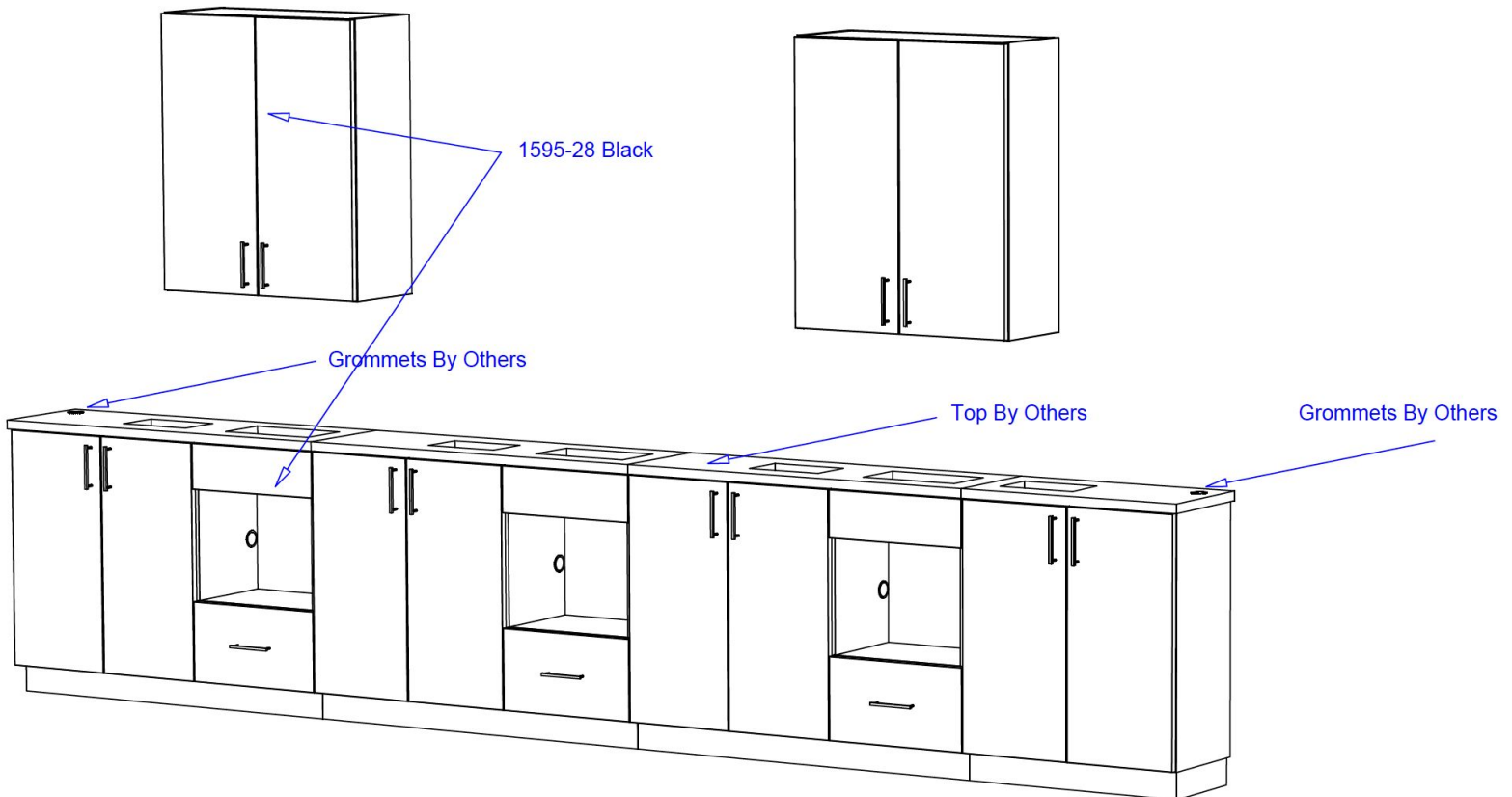
Size - TBD on space design, refer to construction drawings and vendor shop drawings

Finish - Countertop (SS1)

- Bottle Well - 7" x 12"
- Towel Drop - 6" x 8"

Install

- GC to provide blocking behind floor mounted millwork only to allow secure anchoring. No blocking visible upon installation
- 4 bowl unit (shown below) - Wall cabinets aligned between shampoo shuttles 1 & 2 and 3 & 4
- 3 bowl unit - Wall cabinets aligned between shampoo shuttles 1 & 2 and 2 & 3
- GC to unload upon delivery



*Drawings for reference only, refer to construction drawings and/or shop drawings per location



D - Millwork - Prep Area Cabinets



Provider - SSD

Installer - General Contractor

Quantity - TBD, refer to construction drawings

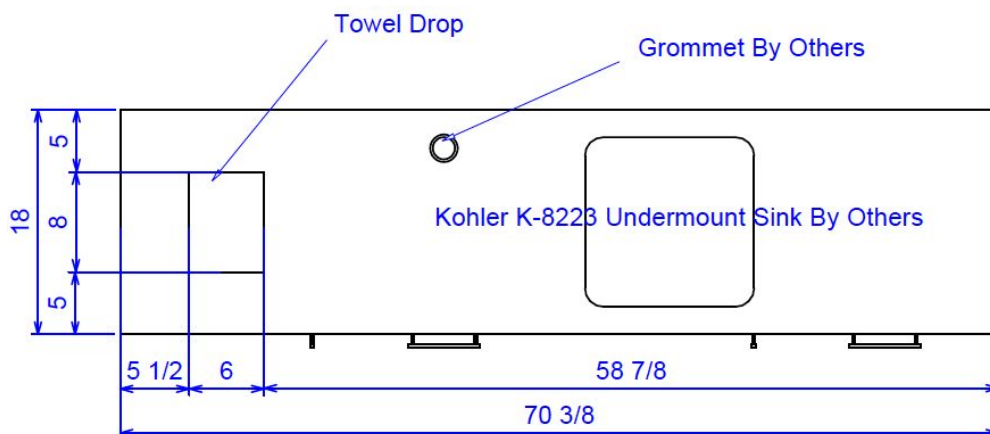
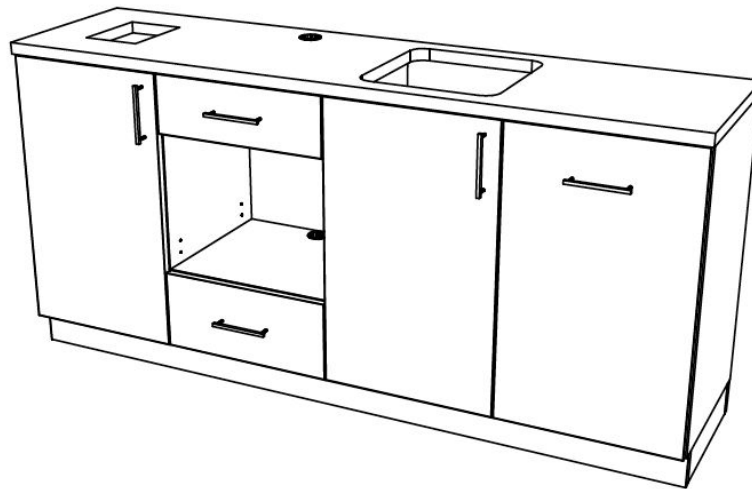
Size - TBD on space design, refer to construction drawings and vendor shop drawings

Finish - Countertop (SS1)

- Towel Drop - 6" x 8"

Install

- GC to provide blocking in lieu of drywall behind millwork only to allow secure anchoring. No blocking visible upon installation
- GC to unload upon delivery



*Drawings for reference only, refer to construction drawings and/or shop drawings per location



D - Millwork - Break Room Cabinets



Provider - SSD

Installer - General Contractor

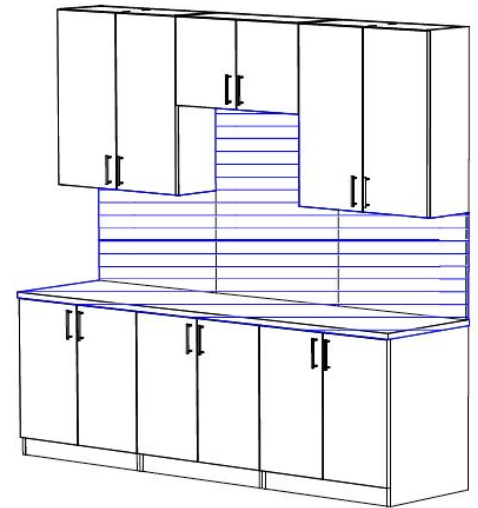
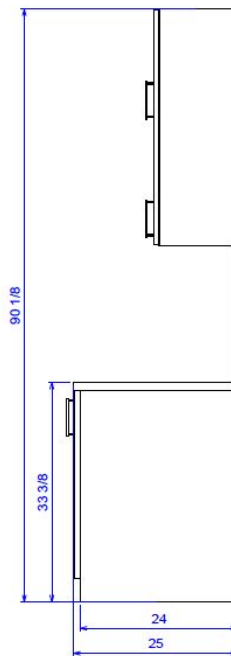
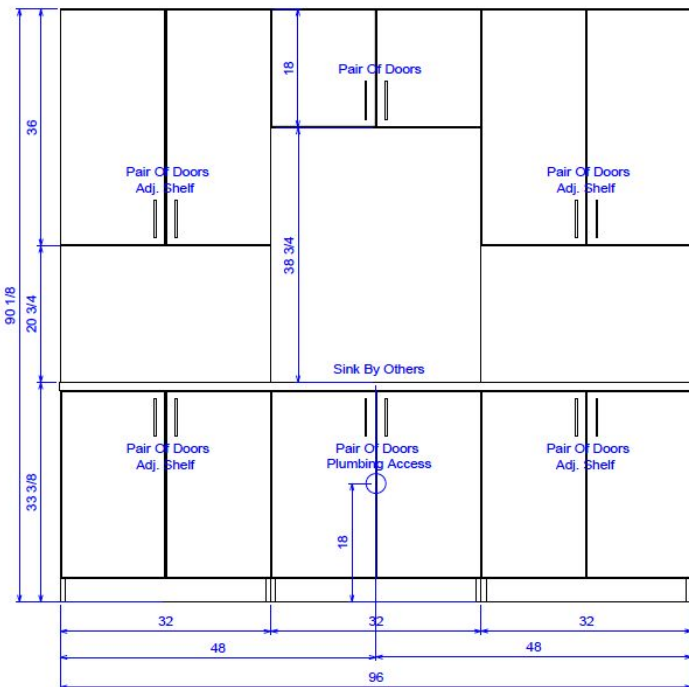
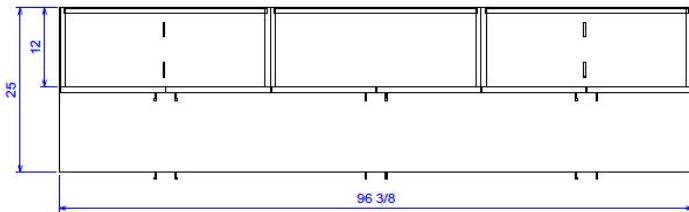
Quantity - TBD, refer to construction drawings

Size - TBD on space design, refer to construction drawings and vendor shop drawings

Finish - Countertop (Laminate by vendor)

Install

- GC to provide blocking in lieu of drywall behind millwork only to allow secure anchoring. No blocking visible upon installation
- GC to unload upon delivery



*Drawings for reference only, refer to construction drawings and/or shop drawings per location



D - Millwork - Master Barber Cabinets



Provider - SSD

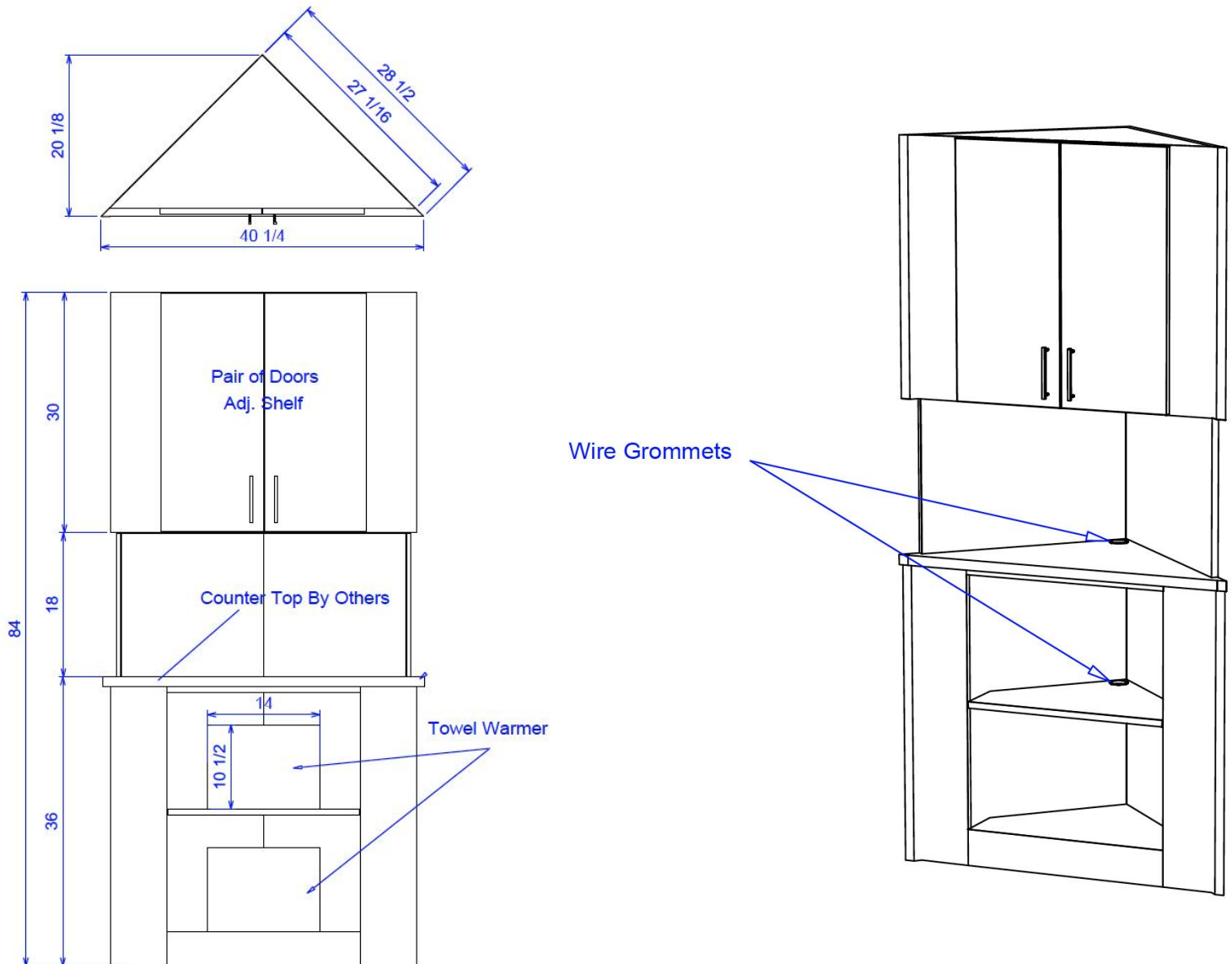
Installer - General Contractor

Quantity - TBD, refer to construction drawings

Size - TBD on space design, refer to construction drawings and vendor shop drawings

Finish - Countertop (SS1) - GC to provide wire grommets

Install - GC to unload upon delivery



*Drawings for reference only, refer to construction drawings and/or shop drawings per location



D - Millwork - Tall Storage Lockers



Provider - SSD

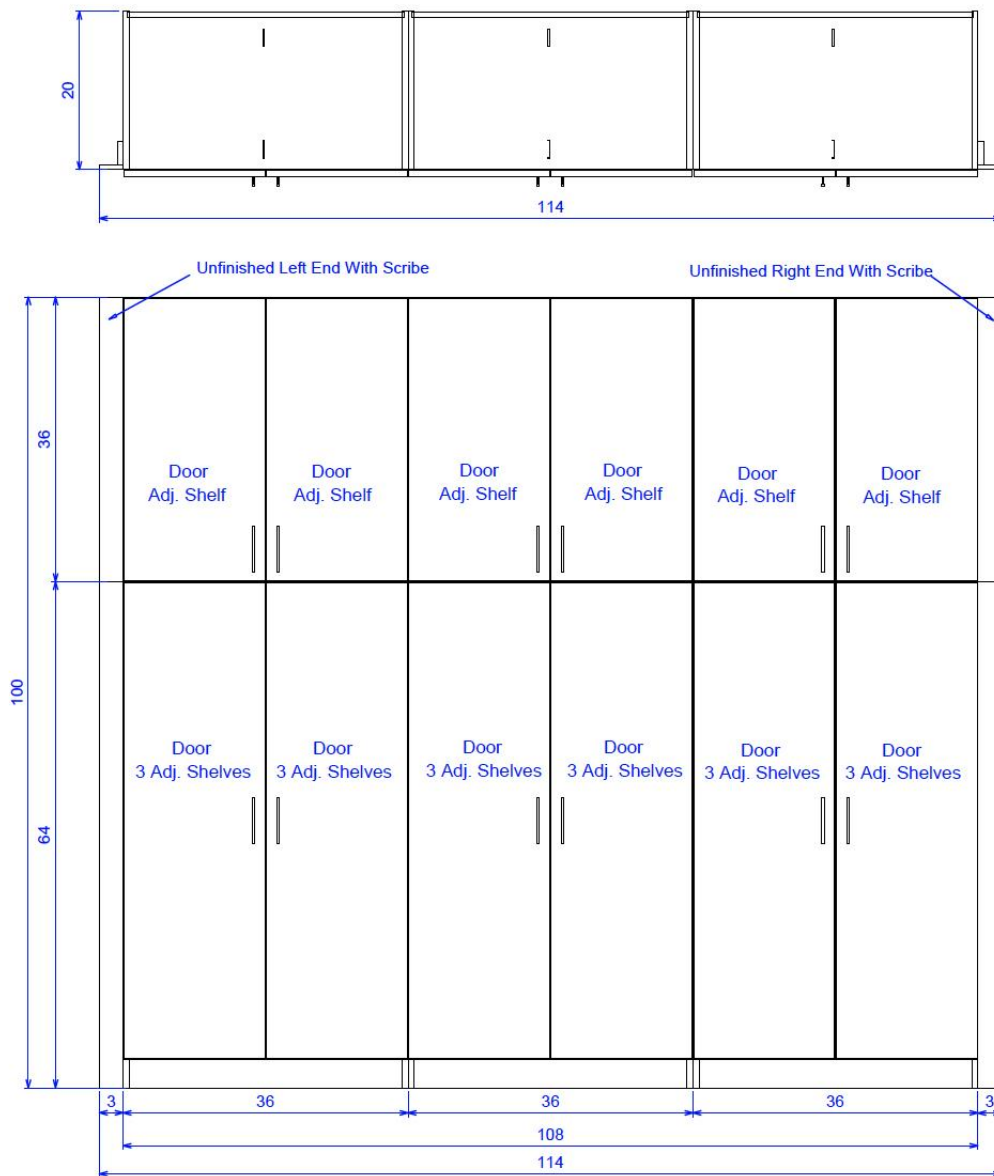
Installer - General Contractor

Quantity - TBD, refer to construction drawings

Size - TBD on space design, refer to construction drawings and vendor shop drawings

Install

- GC to provide blocking in lieu of drywall behind millwork only to allow secure anchoring. No blocking visible upon installation
- GC to unload upon delivery



*Drawings for reference only, refer to construction drawings and/or shop drawings per location

D - Millwork - Lockers



Provider - SSD

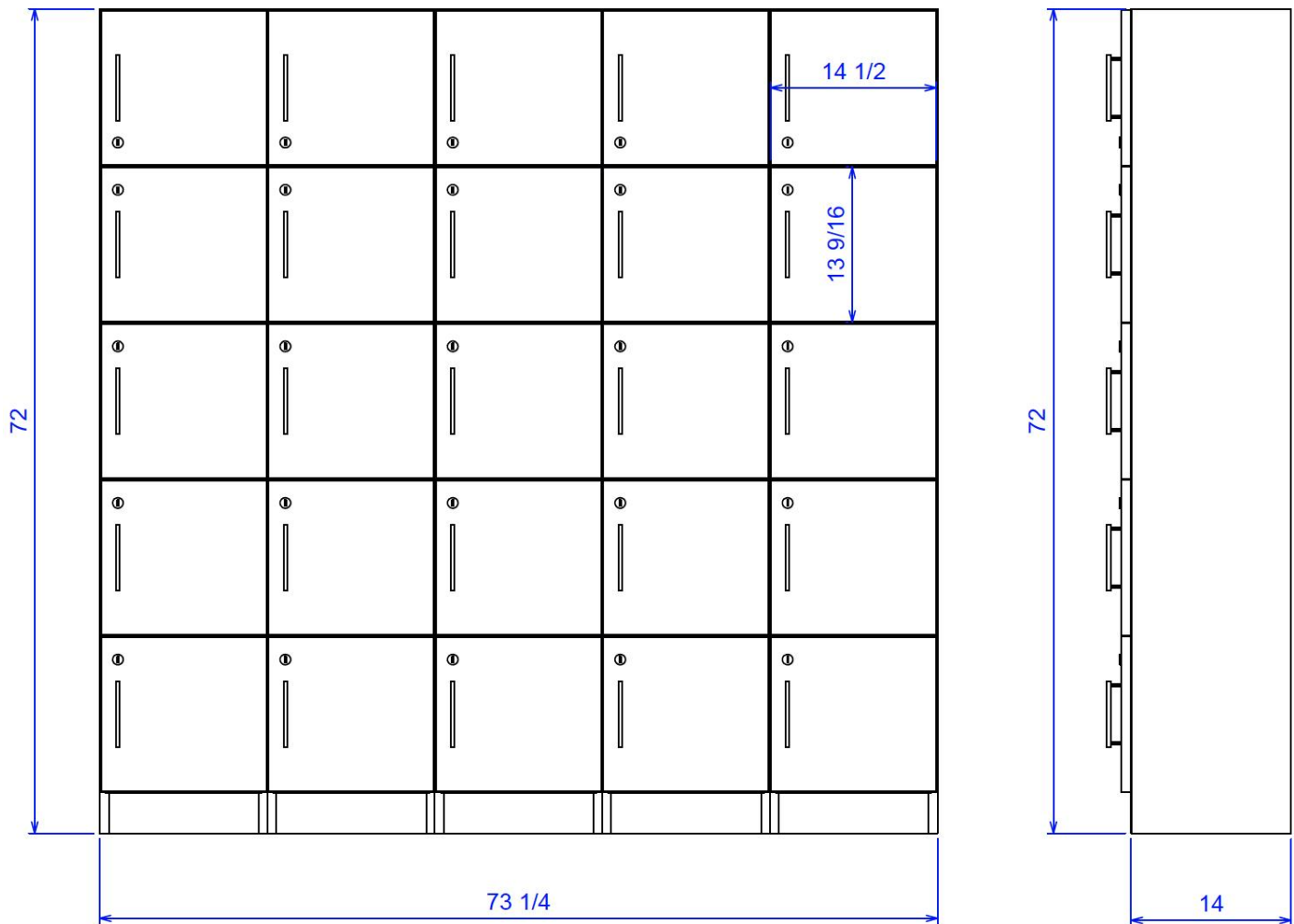
Installer - General Contractor

Quantity - TBD, refer to construction drawings

Size - TBD on space design, refer to construction drawings and vendor shop drawings

Install

- GC to provide blocking in lieu of drywall behind millwork only to allow secure anchoring. No blocking visible upon installation
- GC to unload upon delivery



*Drawings for reference only, refer to construction drawings and/or shop drawings per location



D - Millwork - Bar Panels



Provider - SSD

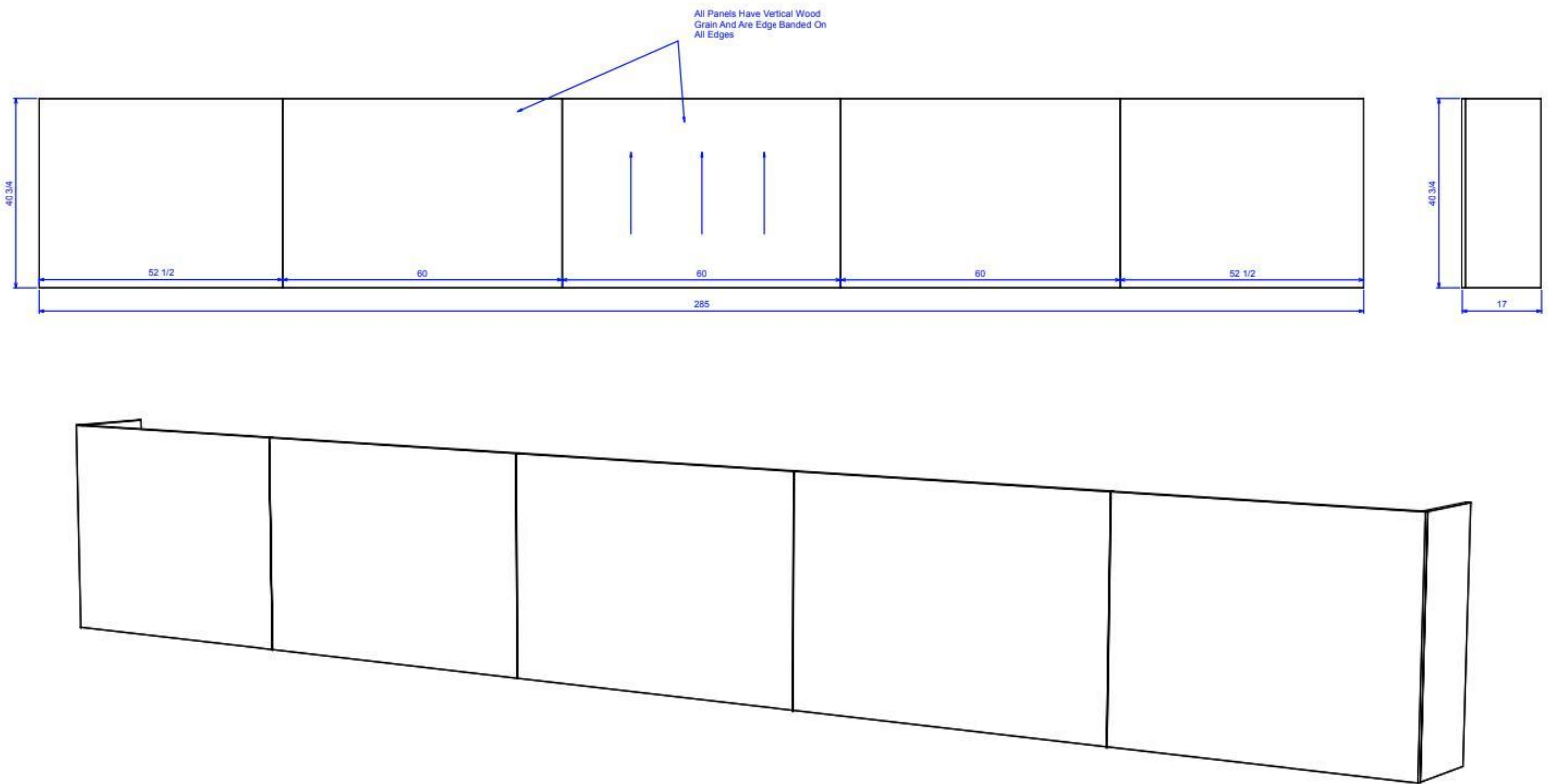
Installer - General Contractor

Quantity - TBD, refer to construction drawings

Size - TBD on space design, refer to construction drawings and vendor shop drawings

Finish - Black/Gloss Line

Install - GC to unload upon delivery



*Drawings for reference only, refer to construction drawings and/or shop drawings per location





Provider - SSD

Installer - General Contractor

Note: Lamping modifications may be required to meet local energy code/bulbs included unless otherwise noted

Type 1

Manufacturer/Model RAB recessed flat panel troffer

Finish White

Size 24" x 24"

Lamp Integrated LED 3500K

Location Break Room - qty. varies as needed per location

Mounting Height Mounted within grid in suspended ceiling per plans



Type 2

Manufacturer/Model RAB recessed flat panel troffer

Finish White

Size 48" x 24"

Lamp Integrated LED 3500K

Location Break Room - qty. varies as needed per location

Mounting Height Mounted within grid in suspended ceiling per plans



Type 3

Currently not used. Replaced by Type 10

Type 4

Currently Not Used

Type 5

Manufacturer/Model Progress Lighting/P5741-31/30K

Finish Black

Size 6" w x 12" h - 6" wire length

Lamp Integrated 120 watt high output LED

Location Entry, Shampoo, between cloud ceiling panels - qty./location Varies per location

Mounting Height 15' AFF to bottom of fixture (*bottom of light flush with cloud ceiling only within cloud ceiling*)



**Refer to construction drawings for confirmation*





Provider - SSD

Installer - General Contractor

Note: Lamping modifications may be required to meet local energy code/bulbs included unless otherwise noted

Type 6

Manufacturer/Model WAC Lighting/WP-LED415-30-ABK POINT INWARD AT CHAIR

Finish Architectural Black

Size 6.75" w x 6.75" h

Lamp Integrated LED 3000K - Direct lamp at barber chair

Location Grooming area/Master Barber, refer to reflected ceiling plan

Mounting Height BASE of fixture at 9' 6" AFF (flush with bottom of cloud ceiling)

Install Spot to hang below cloud ceiling and pointed inward at nearest barber chair.



Type 7

Manufacturer/Model WAC Lighting/WP-LED430-30-ABK

Finish Architectural Black

Size 13" w x 16.5" h

Lamp Integrated LED 3000K - Direct lamp at barber chairs

Location Grooming area/Master Barber, refer to reflected ceiling plan

Mounting Height BASE of fixture at 9' 6" AFF (flush with bottom of cloud ceiling)

Install Spot(s) to hang below cloud ceiling and pointed inward at nearest barber chair. When used in Master Barber, surface mount to ceiling.



Type 8

Manufacturer/Model Millennium Lighting Arm/RGN23-ASB, Shade/RES10-SB(RAS12-SB)

Finish Aluminum Satin Black

Size 23" x 14"

Lamp 100w equivalent 3000K LED - E26 - ***GC to provide**

Location Shampoo back wall, 9' 6" (confirm on reflected ceiling plan)

Mounting Height Refer to reflected ceiling plan



Type 9

Not currently used

Type 9A

Manufacturer dweLED/790576791296

Finish Black

Size 11-1/4" x 24.5" x 11.4"

Lamp 3000k integrated LED

Location Used in lieu of 9 depending on space available at feature wall (confirm on reflected ceiling plans)

Mounting Height Refer to reflected ceiling plan





Provider - SSD

Installer - General Contractor

Note: Lamping modifications may be required to meet local energy code/bulbs included unless otherwise noted

Type 10

Manufacturer/Model Envision square slim recessed panel downlight w/ junction box & universal mounting plate

Finish Black trim

Size 6" x 6"

Lamp Integrated LED 3000K

Location Field cut into cloud ceiling panels, restroom hard lids

Mounting Height Recessed into cloud ceiling panels.



Type 11A/11B

Manufacturer/Model Nora NTE-864 Max Mini LED Track 41 degree spread

Finish Black

Size:

(11A) = 3 Heads on black 2' single circuit track (NT-301)

(11B) = 4 Heads on black 4' single circuit track (NT-302)

Lamp Dimmable integrated LED 3000K

Location Refer to reflected ceiling plan

Mounting Height Refer to reflected ceiling plan



Type 14

Manufacturer/Model Z-Lite Forrest Matte Black LED Two-Light Wall Sconce

Finish Black

Size 4.75" x 3"

Lamp Integrated LED

Location Refer to construction drawings

Mounting Height Refer to construction drawings



Type 15

Manufacturer/Model Maxim Early Electric Fabric Cord Pendant

Finish Black/Antique Brass

Size 3.5" x 2" x 2"

Lamp 60w Vintage Edison Incandescent Bulb Bulb 3000K - E26 ***GC to provide**

Location Lounge

Mounting Height 9' 6" AFF via 120" down cord





Provider - SSD

Installer - General Contractor

Note: Lamping modifications may be required to meet local energy code/bulbs included unless otherwise noted

Type 16

Not Currently Used

Type 17

Manufacturer Red on black self powered universal mount MV 4w w/ battery back-up

Finish Black

Size 11 5/8" x 1 5/8" x 7 7/8"

Lamp Integrated LED

Location Refer to construction drawings

Mounting Height Refer to construction drawings and local code



Type 18

Manufacturer/Model Emergency Lights w/ battery back-up 2-1.5w

Finish Black

Size 12" x 4 9/16"

Lamp Integrated ultra-bright white LED

Location Refer to construction drawings

Mounting Height Refer to construction drawings and local code



Type 19

Manufacturer/Model Red Exit Sign & Emergency Light Combo MV 12w with Battery Backup

Finish Black

Size 21"L x 9"H x 4"D

Lamp Integrated ultra-bright white LED

Location Refer to construction drawings

Mounting Height Refer to construction drawings and local code



Control Panel (PROVIDED BY GC/SUB)

Model CX Commercial Lighting Control Panel System

Provided by GC per construction drawings - If lead times an issue equal substitute to be

Approved by SSD



**Refer to construction drawings for confirmation*





Provider - SSD

Installer - General Contractor

Barber Chairs in Grooming - Collins Commander II w/ sync footrest

Quantity - 8-12 chairs per location, confirm qty. and orientation per construction drawings

Comfort Mats at Base of Barber Chairs - 48" x 60" Comfort Zone Mats

Quantity - 8-12 mats per location, confirm qty. and orientation per construction drawings

Installation

- 2 chairs per barber station
- 1 mat per chair
- 60" side of mat parallel to barber station placed 22" from barber station face, centered on mirror
- Chair placed in u-shaped indentation of mat
- GC to unload upon delivery



*Drawings for reference only, angle of chairs may differ. Refer to construction drawings and/or shop drawings per location



F - Shampoo Shuttles



Provider - SSD

Installer - General Contractor

Shampoo Shuttles at Shampoo Counter

Quantity - Shuttles qty. TBD per location, confirm qty. per construction drawings

Installation

- Rear base of shampoo shuttles 38" off wall (coordinate plumbing per construction drawing dimensions)
- GC to unload upon delivery





Provider - General Contractor

Installer - General Contractor

Foot railing at Bar - Galvanized steel pipe

Size - 1-½" x 60" galvanized steel pipe

Finish - (P4) Clean raw pipe with water-based degreaser to remove oils & sand prior to applying finish to ensure adhesion.

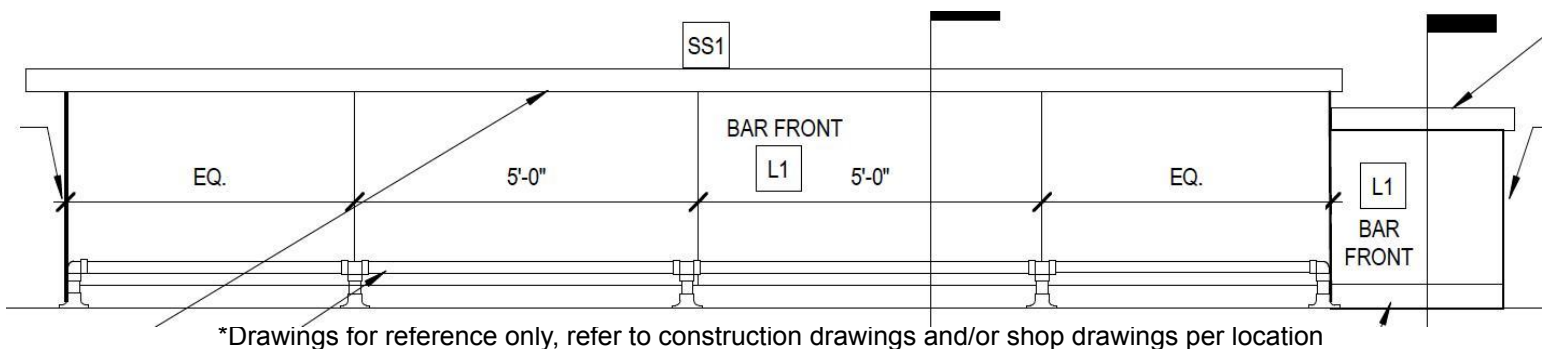
Fittings

- 1-½" x 5-½" galvanized steel nipple pipes
- 1-½" 90-degree galvanized steel elbow fittings
- 1-½" galvanized steel tee fittings
- 1-½" galvanized steel floor flanges

Anchoring Hardware - GC to supply concrete anchors as appropriate & finish heads to match.

Installation

- Anchor via floor flange only per construction drawings - do not anchor to bar face
- Install pipe 5" from face of bar to centerline of horizontal length
- Install height at max height of 7" AFF
- Stop railing at outside edges of bar face (do not run past bar face to avoid tripping hazard)
- From center of bar, distribute 60" lengths with final lengths equal
- If distance from center of bar to outside is less than 12' split distance equally





Provider - SSD

Installer - General Contractor

Kegerator

Manufacturer/Model - Avantco UDD-48-HC Kegerator Beer Dispenser/178UDD48HC
*60" option dependant on space - refer to construction drawings

Finish - Black

Size - 48- $\frac{3}{4}$ "w x 24- $\frac{1}{2}$ "d x 35- $\frac{5}{8}$ "h

Qty - 1 per location and includes tap tower

Install Note: Once kegerator is in place, field cut single tap/drain hole in granite countertop to allow tap to be connected directly to unit



Refrigerator

Manufacturer/Model - Avantco 48" Counter Height Narrow Glass Door Back Bar Refrigerator with LED Lighting/UBB-48G-HC

*60" option dependant on space - refer to construction drawings

Finish - Black

Size - 48- $\frac{3}{4}$ "w x 25- $\frac{3}{4}$ "d x 35- $\frac{5}{8}$ "h

Qty - 1 per location (size may vary per location)



Ice Machine

Manufacturer/Model - Kold-Draft Large Cube Undercounter Ice Maker - 82 lbs./day, Air Cooled/KD70

Finish - Stainless

Size - 19.7"w x 17"d x 36.7"h

Qty - 1 per location



Ice Bin

Manufacturer/Model - Regency Underbar Ice Bin with 7 Circuit Post-Mix Cold Plate and Bottle Holders - 77 lb.

Finish - Stainless

Size - 24"w x 18.5"d x 33"h

Qty - 1 per location





Provider - General Contractor

Installer - General Contractor

Interior Glass Door w/ Sidelite at Grooming Entry

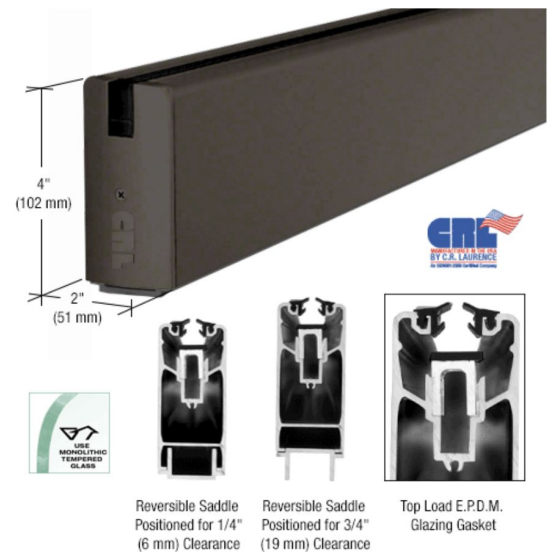
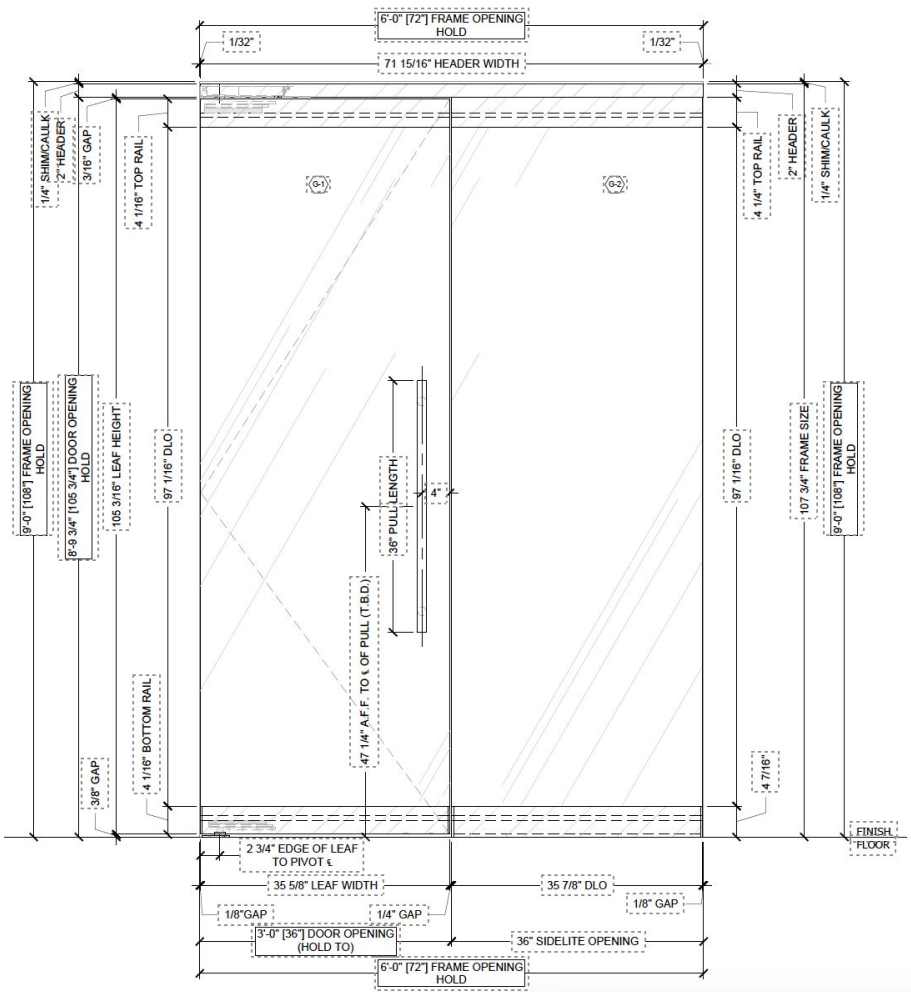
Finish - Black anodized aluminum w/ 1/2" clear tempered glazing and black anodized hardware

Size - TBD per construction drawings

Qty - 1 per location

Installation

- GC to provide finished opening per construction drawings
- GC to ensure door and sidelite rails are 4" black anodized square extrusions
- GC to determine best location for floor mounted door stop(s)
- Sidelite size may vary per location, refer to construction drawings



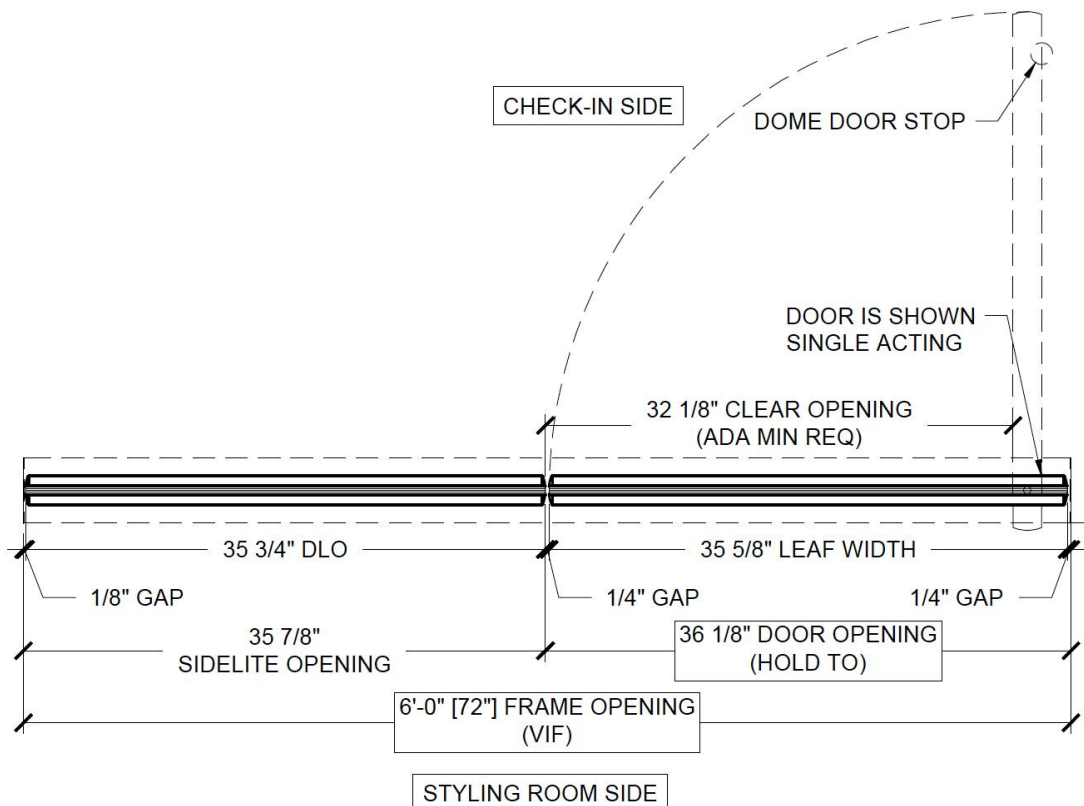


**For reference only - see construction drawings & approved shop drawings as door size & orientation may change per location – Drawings not to scale*

SPECIFICATIONS

INTERIOR ENTRANCE DOORS:

- 4" SQUARE DOOR RAILS
- FINISH: F1 BLACK ANODIZED
- GLAZING: G-1 1/2" CLEAR TEMPERED GLASS
- HARDWARE - FINISH F1 OR EQUAL
 - ONE (1) 1 1/4" X 36" STRAIGHT BTB LADDER PULLS CRL LP36MBL
 - ONE (1) DORMA RTS88 OVERHEAD CONCEALED CLOSER - BFI / NHO
 - ONE (1) CRL INT307DU (6" X 1/2" SQ) DOOR STOP - FINISH: F1 (NOT USED FOR DOUBLE ACTING DOOR)
 - TWO (2) CRL DL2501DU 5/32" SURFACE APPLIED DOME STOP
 - ONE (1) DORMA 7471K FLOOR BEARING PIVOT
 - ONE (1) AMR209DU DUST PROOF STRIKE
 - ONE (1) CRL DRA20DU THUMBTURN - FINISH: DARK BRONZE
 - ONE (1) CRL DRA10DU MORTISE KEYED CYLINDER - FINISH: DARK BRONZE
- TURN KEY DOORS WITH ALL HARDWARE INSTALLED AND TESTED PRIOR TO SHIPMENT
- CRATED FOR SHIPMENT





Provider - General Contractor

Installer - General Contractor

Solid Core Wood Veneer Interior Wood Doors (1FSW)

Finish – Stain to match wainscoting (WC1) - SSD approval required

Size - Refer to construction drawings

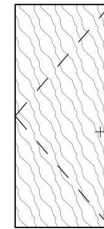
Qty – Refer to construction drawings

Manufacturers - Subject to compliance with requirements, available manufacturers offering products that may be incorporated into the Work include, but are not limited to:

- Masonite Masonite.com
- VT Industries VTindustries.com
- See quality standards on following page

Hardware - Refer to door schedule for details

NOTE:
SOLID CORE
WOOD VENEER
DOOR PER
SPECIFICATIONS



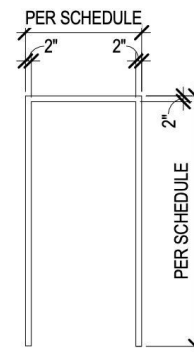
FLUSH SOLID CORE
WOOD DOOR

Hollow Metal Frames - (HM1)

Finish (P1) - Black Fox Eggshell

TYPICAL HOLLOW METAL FRAME
NOTES:

- 16 GAUGE COLD ROLLED STEEL
- WELDED FRAME GROUND SMOOTH
- 3 SILENCER HOLES PER STRIKE
- 2 SILENCER HOLES PER HEAD
- 14 GAUGE STRIKE REINFORCED PLATE
- 12 GAUGE CLOSER REINFORCED PLATE
- PRE-PRIMED (GRAY)
- 9 GAUGE UNIVERSAL HINGE TAP PLATES PROJECTION WELDED FOR 4 1/2" TEMPLATE TYPE HINGES



HOLLOW METAL FRAME

1FSW

HM1



SOLID-CORE DOORS

- Interior Solid-Core Doors with Wood Veneer Faces matching WC-1 Finish:
 - Grade: AWI Premium, with Grade A faces
 - Species and Cut: Rift cut oak
 - Match between Veneer Leaves: Book match
 - Assembly of Veneer Leaves on Door Faces: Balance match
 - Pair and Set Match: Provide for doors hung in same opening or separated only by mullions (not common)
 - Room Match: Match door faces within each separate room or area of building. Corridor-door faces do not need to match where they are separated by 10 feet or more
 - Exposed Vertical and Top Edges: Same species as faces
 - Core: Particleboard
 - Construction: Seven plies, either bonded or non-bonded construction

FABRICATION

- Factory fit doors to suit frame-opening sizes indicated, with the following uniform clearances and bevels, unless otherwise indicated:
 - Comply with clearance requirements of referenced quality standard for fitting. Comply with requirements in NFPA 80 for fire-rated doors
 - Factory machine doors for hardware that is not surface applied. Locate hardware to comply with DHI-WDHS-3. Comply with final hardware schedules, door frame Shop Drawings, DHI A115-W series standards, and hardware templates
 - Coordinate measurements of hardware mortises in metal frames to verify dimensions and alignment before factory machining
 - Metal Astragals: Pre-machine astragals and formed-steel edges for hardware for pairs of fire-rated doors (not common)
 - Openings: Factory cut and trim openings through doors.





Provider - General Contractor

Installer - General Contractor

Hollow Core Pocket Door

- Refer to construction drawings, may not be incorporated into every location.
 - Typically used if prep room is available or per space availability
 - Refer to construction drawings to confirm hardware per local code and finish schedule for paint

Door: 103 Prep Room

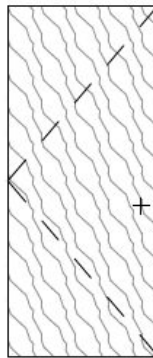
1 Sliding Door Hdwe, Pocket

1 Sliding Door Non Latching

Finish: 613

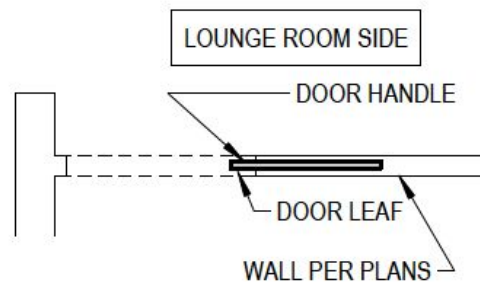
PF28200A SIZE PER OPENING
1064

NOTE:
HOLLOW CORE
WOOD VENEER
DOOR PER
SPECIFICATIONS



FLUSH HOLLOW CORE
WOOD DOOR

* DOOR PROVIDED BY OTHERS AND INSTALLED BY G.C.





Provider - General Contractor

Installer - General Contractor

ADA handicap grab bars

Model - Bobrick

Finish - Matte black

Anchoring Hardware - GC to supply backing in wall and anchors as appropriate, finish anchor heads to match.

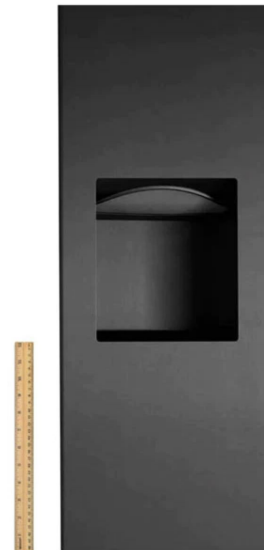
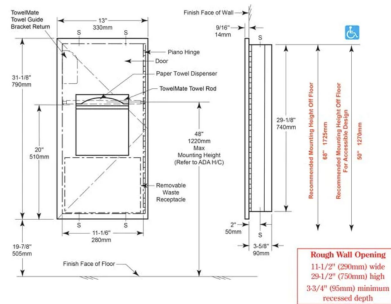
*Handicap grab bars per construction drawings and mounted per ADA requirements



Towel Dispenser/Open Waste

Manufacturer/Model # - Bobrick B-36903.MBLK

*Install per construction drawings



Toilet Paper Holder

Manufacturer Kibi USA Toilet Paper Holder w/ Shelf

Model #: KBA1209BG

Installation

- Install per plans and ADA requirements

Anchoring Hardware - GC to supply anchors to match





Provider - General Contractor

Installer - General Contractor

Men's/Women's/ADA Signage at Bathrooms

Manufacturer/Model - Office Sign Company/09.5D-WS-RRADA-RND-CLR

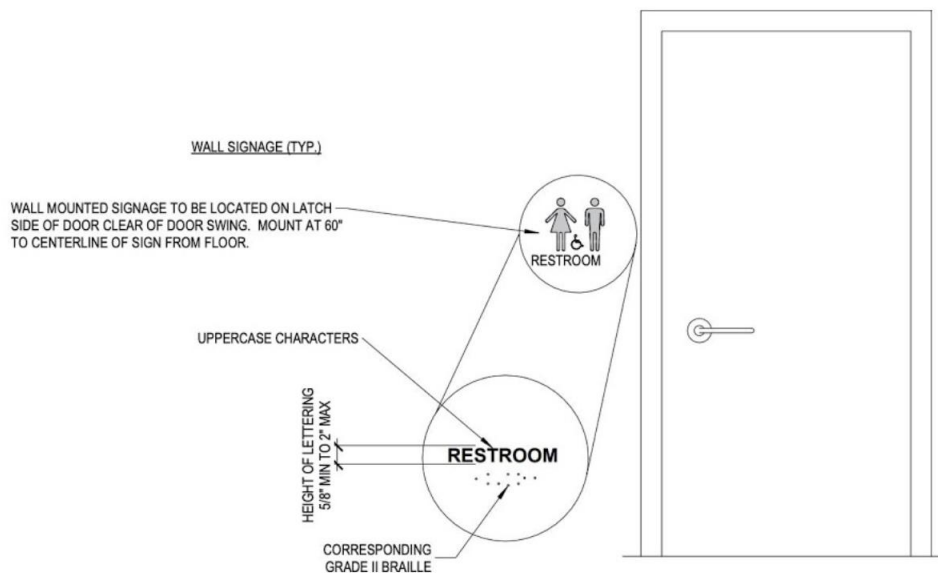
Distributor Contact Info - officesigncompany.com, (701) 526-3835

Finish - Matte Frosted Acrylic w/ two black standoffs

Size - 9.5" dia. x 1/8"

Quantity - 1 per bathroom

Installation - Installer per ADA requirements, refer to construction drawings



Provider - General Contractor

Installer - General Contractor

Bathroom Mirrors

Spec - Frameless wall mount mirrors

Size - 48" h x entire width of countertop (refer to construction drawings to confirm width)

Install - Bottom of mirror starts at top of backsplash





Provider - General Contractor

Installer - General Contractor

Restrooms

Sink - Miseno undermount sink with overflow ([MNO2114ABWH](#)), Bright White

Drain Assembly - Native Trails 1-1/2" Teardrop Drain ([DR150-CH](#)), Chrome

Faucet - American Standard Selectronic 0.5 GPM Single Hole Bathroom Faucet ([2506155.002](#))

Mixing Valve - Toto thermostatic mixing valve ([TLT10R](#))

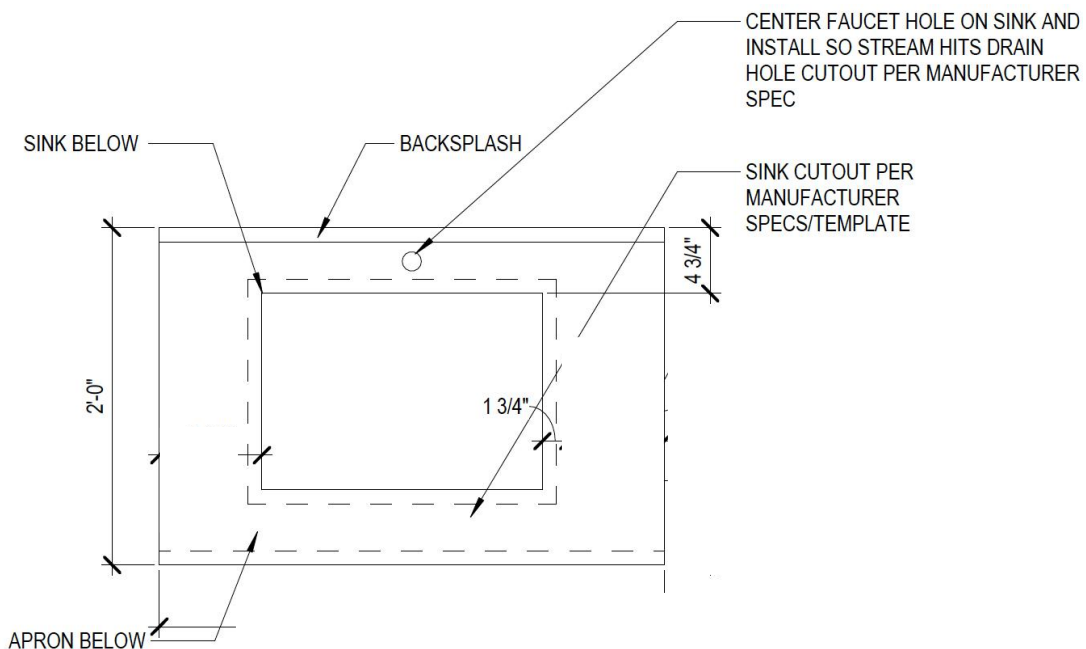
Installation

- Undermount sink
- Faucet hole in granite to account for 60 degree spout angle. Cut faucet hole and install so stream lands on drain.



Granite Cutout Details

- Refer to construction drawings, sink layouts are restroom specific.
 - Center sink on countertop right to left per dimensions on construction drawings
 - See below for minimum clearance from sink to backsplash to accommodate fixtures
- Round all corners and finish cut edges (see page A3)





Provider - General Contractor

Installer - General Contractor

Prep Area

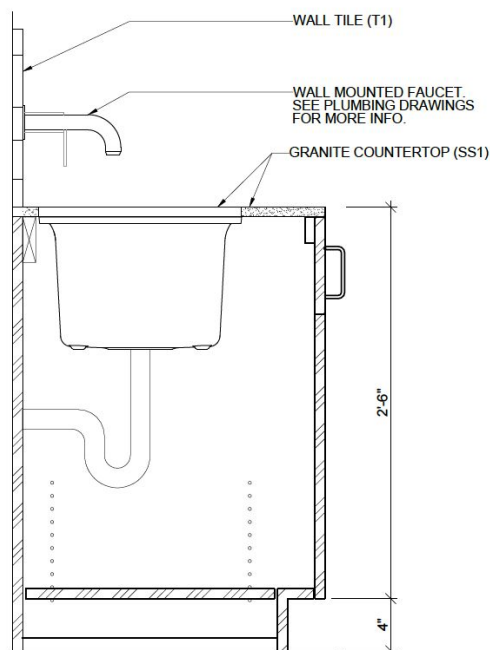
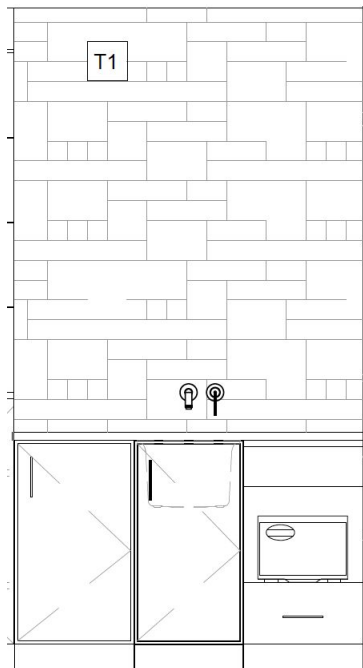
Sink - Kohler Cairn 15-½" undermount single basin stone composite bar sink ([K-8223-CM1](#)), Matte Black

Drain Assembly - Kohler Duostrainer 3-½" basket strainer ([K-8801-BL](#)), Matte Black

Faucet - Delta Trinsic 1.2GPM wall mounted faucet ([T3559LF-BLWL](#)), Matte Black

Installation

- Undermount install (sink comes with template)
- Mixing valve required for faucet
- Sink cutout max 1-¼" from wall to back of granite (not from tile - tile will allow faucet to stand off wall and allow for stream to hit as close to center of strainer as possible).





Provider - General Contractor

Installer - General Contractor

Front Bar Area

Hand Sink - Regency 17" x 15" Wall Mount Hand Sink with Gooseneck Faucet ([600HS17SP](#))

Installation - Install per construction drawings



4 Comp sink - Regency 3 Bowl Underbar Sink with Two Faucets and Two 18" Drainboards ([600B31014219](#))

Installation - Install per construction drawings

**Size and drainboard count TBD per site specific health code requirements*



**NOTE: IF CONSTRUCTION DRAWINGS CALL FOR DISHWASHER/DUMP SINK IN LIEU OF 4 COMP SINK SEE 'FRONT BAR AREA (ALTERNATE)' ON PAGE H6*





Provider - SSD

Installer - General Contractor

Front Bar Area (ALTERNATE) - Below unit used only if spec'd in lieu of 4 comp sink

Dishwasher - Jackson DISHSTAR LTH Low Temp Rack Undercounter Dishwasher - (24) Racks/hr, 115v
Installation - Install per construction drawings on as needed basis



Provider - General Contractor

Installer - General Contractor

Front Bar Area (ALTERNATE) - Below unit used only if spec'd in lieu of 4 comp sink

Dump Sink - Regency 1 Bowl Underbar Sink with Drainboard and Faucet ([600B1101412](#))
Installation - Install per construction drawings





Provider - General Contractor

Installer - General Contractor

USB/Power Outlets

Spec - Type A & Type C USB Charger with outlets

Color - Black

Location - At all USB outlet locations per electrical drawings

Installation

- Refer to construction drawings for placement
- Typically used in lounge at bar and face of booth seating if included
- Typically available for purchase via Amazon if sourcing/time becomes an issue



I - Signage - Exterior

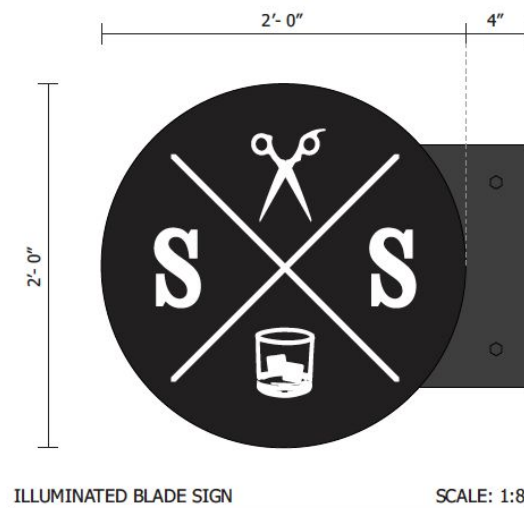


Provider - Owner Supplied

Installer - Sign Vendor

Prep - General Contractor

- GC to provide electrical connections per shop drawings and local code
- All wires painted black fox as part of final paint
- Quantity, type and installation method of sign(s) will vary. Confirm with owner per sign vendor shop drawings



**NOTE: Sign sizing will vary based on corporate standards, leased space length, landlord criteria and the municipal code.*



I - Exterior “Coming Soon” Graphics



Provider - Owner Supplied

Installer - Required Vendor

- Franchisee to contact required vendor as early as possible after lease signing
- Quantity, design and price of sign(s) will vary. SSD/Marketing to approve final design and review pricing prior to fabrication/install.
- Franchisee to invoice directly with required vendor:
 - Taylor Visual Group
 - Chad Taylor - chad@taylorvisualgroup.com
 - Denise Taylor - denise@taylorvisualgroup.com



info@taylorvisualgroup.com | 630.592.4688 | 620 W 5th Ave - Suite A | Naperville, IL 60563

Signed Approval: _____

Date: _____



**drawings for reference only - Design and size will vary per location*

SCISSORS & SCOTCH





<u>Version</u>	<u>Date</u>		
2.0	1/8/21	Updated Responsibility for RR mirrors Added USB outlet power strip Updated barber station anchoring Added pocket door specs	10/19/22
2.1	2/3/21	Added Lighting Type #14	
2.2	3/4/21	Revised Tile sourcing by GC Revised Granite Spec Added to caulk concrete joints Revised USB section	02/03/23
2.3	3/25/21	Added new #10 lighting fixture at CC Updated track lighting #11A/11B Updated light fixture #3	
2.4	4/22/21	Updated light fixtures	
2.5	9/01/21	Added appv'd granite options (A3) Added back bar bracing details (A3) Updated small S&S logo details (B1) Updated WC species spec to alder (B4) Added booth cushion dim details (B6) Updated ice maker spec (F4)	08/7/23
2.6	11/29/21	Rev barber station mirror frame install/dims (D3) Omitted booth seating details (D6)	
2.7	12/21/21	Revised Cloud Ceiling Size (C1- C3) Updated WC Design (B5 - B7)	
2.8		Revised grooming prep sink/faucet specs (H4) Revised Type 10 lighting (E3) Omitted Type 3 lighting (E1) Omitted Type 12 lighting (E3) Omitted Type 16 lighting (E4)	
2.9		Updated ADA grab bars Updated toilet paper holder Updated towel dispenser/trash in RR Updated WC spec to alder OR clear radiata pine Added Coming Soon Graphics	
3.0		Updated WD1 spec Updated RR faucet spec (H3) Updated LCP responsibility to GC (E4) Updated divisible paint line to 10' (A1) Updated feature wall design (B1)	
3.1		Updated RR paper towel holder Added WC finish directions	
3.2		Updated flooring finish (A2) Removed cambria granite option (A3) Added pic of tap/drain cutout (A3) Updated #1 and #2 spec (E2) Updated #10 spec (E3) Updated track lighting spec (E3) Added kelvin to lounge bulbs (E3) Added pic of tap/drain cutout (F4)	11/1/23

