
Yellow Wall Reveal

Darin Blaser

DARINBLASER@fryreglet.com

1-800-237-9773

PROVIDE AND INSTALL CUSTOM EDWARD JONES
FRY REGLET REVEAL EDJ-625-625.

Edward Jones

Edward Jones Sign - Metal Logo

Deb Gorat

Metal Logos & More

5853 So. 77th Street

Omaha, NE 68127

Phone: 402-339-3264

Fax: 402-339-2311

Deb@metallogos.com

Edward Jones

BRAND WALL

Overview

THE LOOK

- Always painted SW 7075 Web Grey
- Standard Chrome Edward Jones Raised Logo
- Horizontal Gold Wall Reveal

*Logo and reveal to be raised up 1'-0" in branches with ceilings over 11'-0"

BRAND WALL VS ACCENT WALL

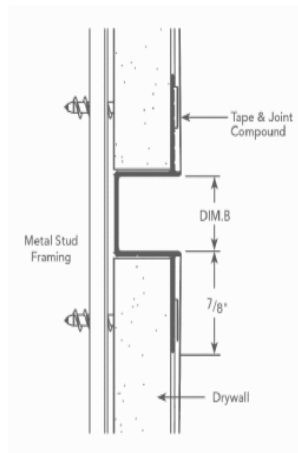
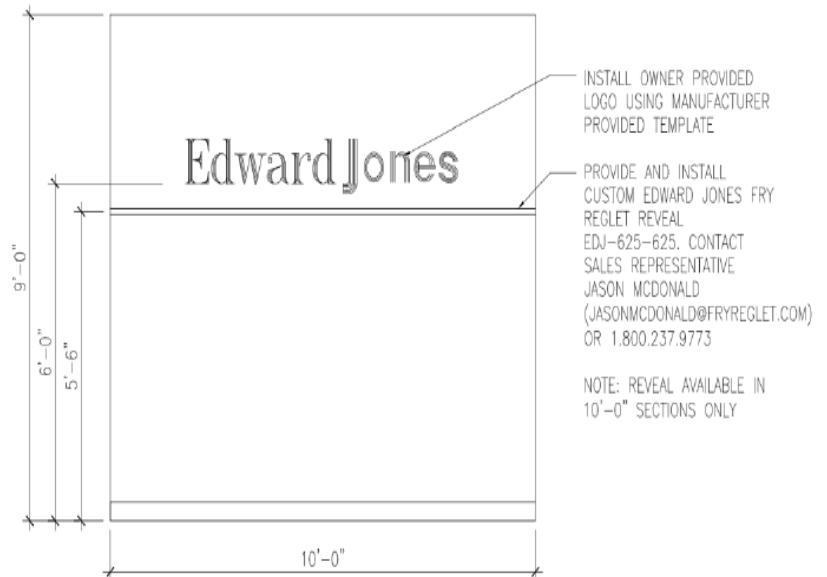
Brand Wall

- Required in every branch
- Always SW 7075 Web Grey

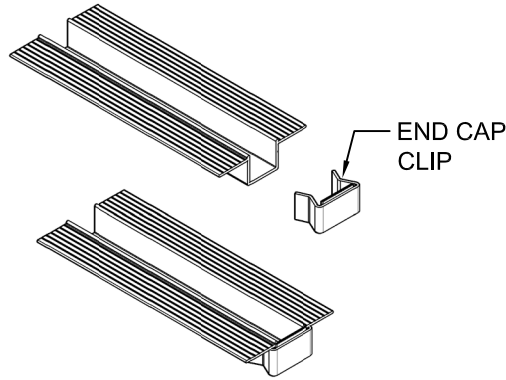
VS

Accent Wall

- Only in offices
- Can be optional
- Multiple color options; including SW 7075 Web Grey

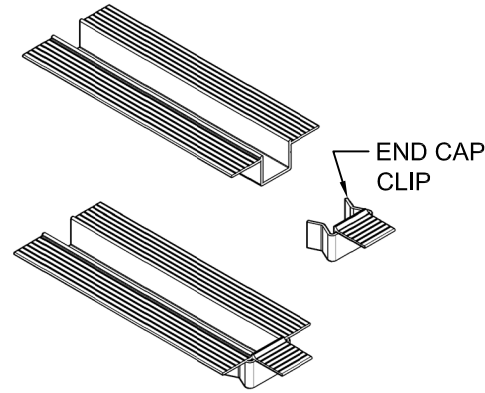


DRM END CAP Without Flange



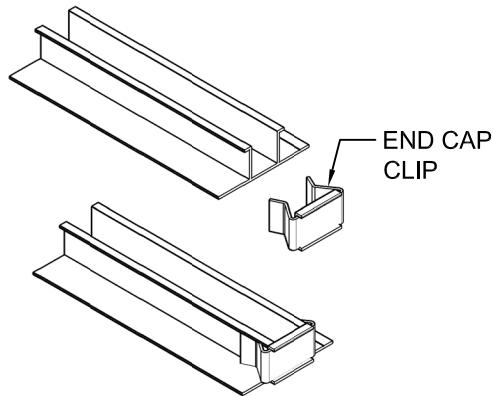
End Cap: _____
 Quantity: _____ PCS
 Finish: _____

DRM END CAP With Flange



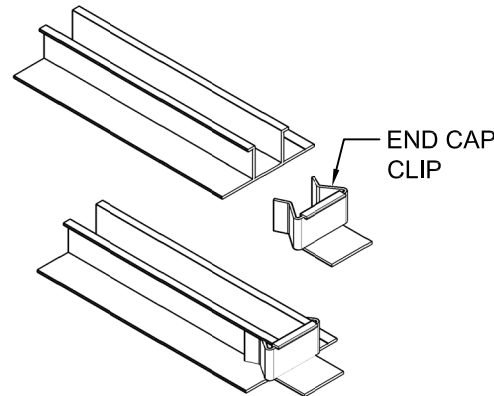
End Cap: _____
 Quantity: _____ PCS
 Finish: _____

PCS / DCS END CAP Without Flange



End Cap: _____
 Quantity: _____ PCS
 Finish: _____

PCS / DCS END CAP With Flange



End Cap: _____
 Quantity: _____ PCS
 Finish: _____

FRY REGLET

CALIFORNIA ** GEORGIA

1-800-237-9973

www.fryreglet.com

QUOTE NUMBER: _____ SO#: _____

CUSTOMER NAME: _____

CUSTOMER CONTACT: _____

CUSTOMER PHONE: _____

JOB NAME:
 DRM-PCS-DCS - END CAP

PRODUCT:
 PROFILE END CAP

ESTIMATOR: _____

PROJECT MANAGER:
 CAD DEPT

SUBMITTAL BY: _____

SHEET NAME: _____

DRAWING STATUS: _____ DRAWING DATE: 12/13/2019

REVISION DATE: _____ REVISION: _____

TOLERANCE DATA

THE INFORMATION CONTAINED WITHIN THIS DRAWING IS THE SOLE PROPERTY OF FRY REGLET. ANY REPRODUCTION IN PART OR WHOLE WITHOUT THE WRITTEN PERMISSION OF FRY REGLET IS PROHIBITED.

DWG SIZE: A SCALE: 1:1

SHEET: A001 TOTAL SHEETS: _____

End Caps are not available for all products; please consult a customer service representative.
 Finish of End Caps are available in clear anodized, chem film or other specified finish.
 Finish of End Cap Clips are in mill finish.

****IT IS THE CUSTOMER'S RESPONSIBILITY TO VERIFY THAT THIS/ THESE DRAWING(S) ARE ACCURATE AND CONSISTENT WITH THE REQUIREMENTS OF THE JOB****

CUSTOMER APPROVAL:

SIGNATURE _____ PRINT NAME _____ DATE _____

FRY REGLET

Drywall Installation Guide

ATTACHMENTS

TAPEABLE FLANGE SHAPES:

1. The moldings are generally routed into place after the gypsum board has been installed. The installer can provide space for the moldings at the time of installation.
2. The framer should provide backing so that moldings may be attached with #6 drywall screws 16" o.c. for horizontal applications.
3. Prior to taping, the attachment flanges should be cleaned using a non-abrasive cleaner and soft rag. When veneer plaster is specified, the flanges must be treated with a bonding agent.
4. Make sure the tape does not overlap the edge of the reveal and an 8" wide trowel is used to apply the final skim coat.
5. Fiberglass self-adhesive drywall tape will cut taping time and help to avoid possible cracking.

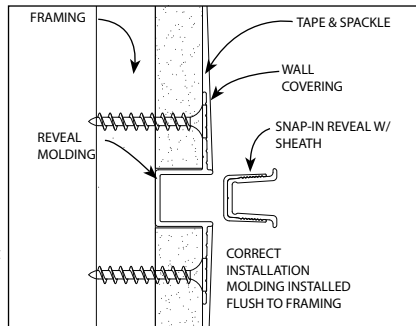
NON-TAPEABLE FLANGE SHAPES:

1. These types are installed prior to drywall installation and generally do not require taping or spackling.

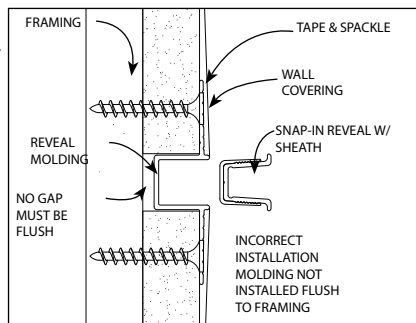
ADDING SNAP-INS

1. When the reveal molding is used with the Snap-In, use the base molding with 1/2" ground when installing 1/2" drywall, and base molding with 5/8" ground when installing 5/8" drywall. (See "Right Way")
2. Make sure base is supported to ensure that the base does not become deformed when applying Snap-In.
3. NEVER use 1/2" base with 5/8" drywall when adding Snap-In. (See "Wrong Way")

RIGHT WAY

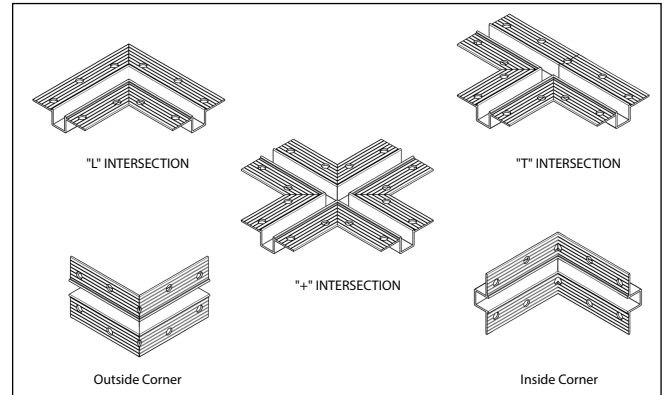


WRONG WAY

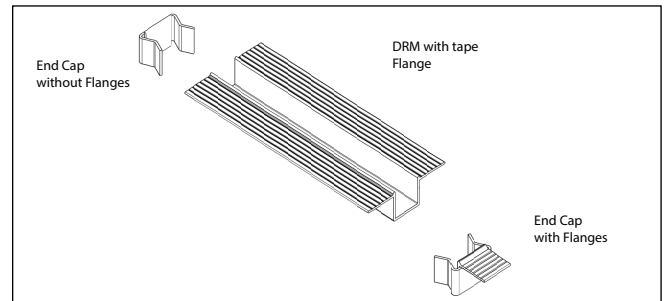


FACTORY FABRICATED INTERSECTIONS

Factory fabricated intersections are available to connect horizontal and vertical joints of moldings of the same or different types. Intersections are available in "T", "L", and "+" shapes. The mitered joints are welded and the 6" legs are measured from the center point of the reveal. Corner pieces can be manufactured for both inside and outside conditions. Custom leg lengths are available.



END CAP



CUTTING AND FIELD PAINTINGS

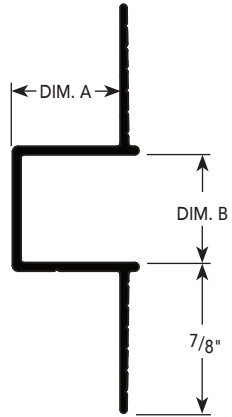
1. Materials can be cut with a chop saw, using a 96 tooth blade for non-ferrous metal.
2. Use a lubricant (WD-40 or grease stick) on the blade prior to cutting. Do not use an abrasive cut-off wheel.
3. Be sure to clean lubricant off trim.

If field painting of clear anodized moldings is the only alternative, the following steps must be taken to improve the bonding of the paint to the metal surface:

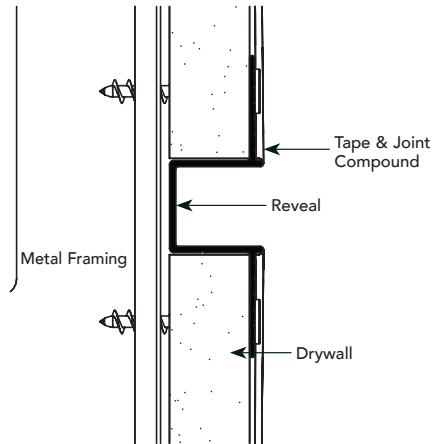
- Clean and treat material with an acid etch solution (e.g. mild concentration of muriatic acid), rinse thoroughly and dry.
- Use a primer recommended by the manufacturer of the paint to be used.
- Apply coating following manufacturer specifications.

However, Fry Reglet cannot accept responsibility for performance of field applied coatings over anodized finishes.

REVEAL



INSTALLATION DETAIL / Cross Section



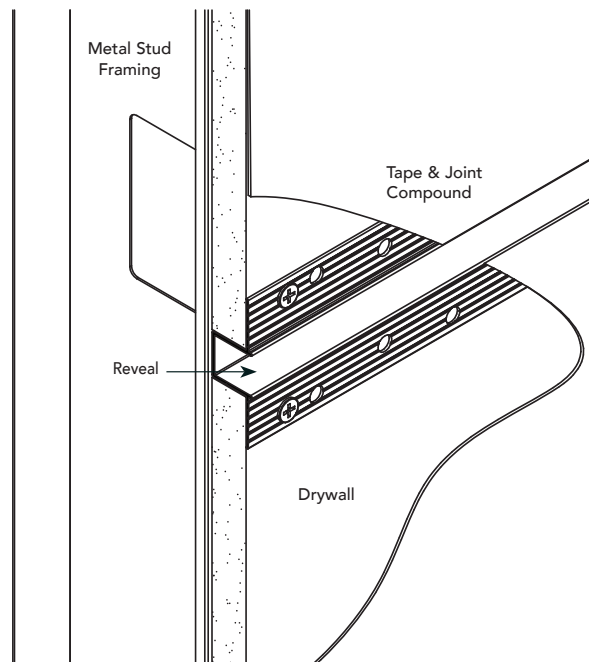
USAGE

Fry Reglet Reveal creates an attractive vertical or horizontal recessed reveal in drywall installations. Reveals can become a design element to enhance building interiors. Reveal widths from 1/8" to 6" for choice of design effects.

GUIDE SPECIFICATION

Where indicated on drawings, Fry Reglet Reveal, as manufactured by Fry Reglet Corporation, shall be installed. Aluminum shall be extruded alloy 6063 T5, with chemical conversion coating, clear anodized or other specified finish. Refer to finish section.

INSTALLATION DETAIL / ISO View

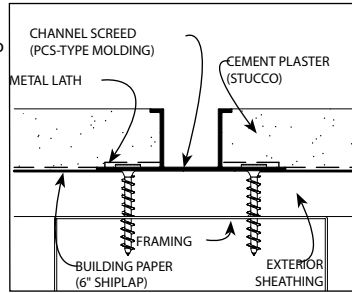


FRY REGLET

Stucco Installation Guide

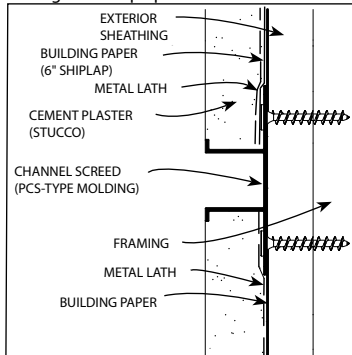
LATHING-VERTICAL INSTALLATION

1. Place building paper behind all moldings and shi lap a minimum of 6".
2. Secure moldings on 7" centers using fasteners as appropriate to substrate to meet ASTM C1063.
3. Install wire lath over installation flange of moldings.
4. Use vinyl or cloth tape specifically manufactured for masking anodized aluminum trim prior to plastering. For painted surfaces, use plastic tape.



LATHING-HORIZONTAL INSTALLATION

1. Place building paper behind all moldings and shi lap a minimum of 6".
2. Secure moldings on 16" centers using fasteners as appropriate to substrate.
3. Place building paper over upper flange of reveal, extending upward and under the above building paper overlap.
4. Place wire lath over upper installation flange on horizontal installation.
5. Install wire lath over bottom installation flange of moldings.
6. Use vinyl or cloth tape specifically manufactured for masking aluminum trim prior to plastering. For painted surfaces, use plastic tape.



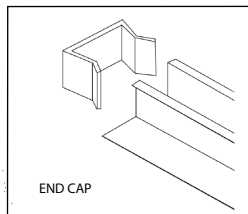
INSTALLATION OF MOLDINGS AFTER BUILDING PAPER AND WIRE LATH HAVE BEEN INSTALLED

Make sure that the 7/8" installation flanges are covered with wire lath. This will prevent cracking.

Note: Uniform Building Code requires two layers of grade "D" paper when applied over wood base sheathing.

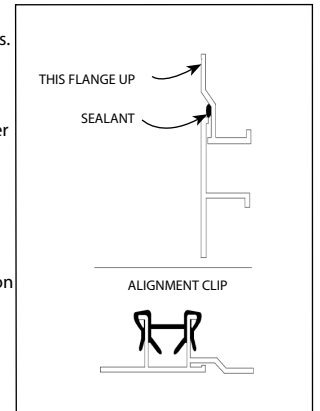
FRY REGLET FACTORY FABRICATED INTERSECTIONS

Factory fabricated intersections and corner pieces of the same or different moldings are used to connect horizontal and vertical joints, or transitioning from plane to plane. The intersections are welded and sealed. Standard leg lengths are 6" from the center point of the reveal. Custom leg lengths are available.



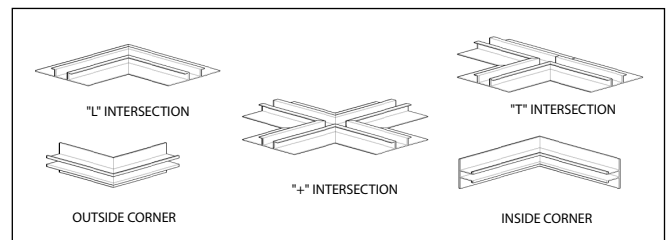
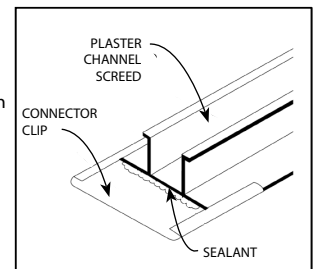
INSTALLATION - 2 PIECE PLASTER EXPANSION JOINT

1. Place building paper behind all moldings and shi lap a minimum of 6".
 2. Prior to attachment, place sealant in the movement groove along the back of the molding.
- Note: If installation is horizontal, place movement flange on top and lap additional building paper over top flange. (See #3 of Lathing - Horizontal Installation)
3. Leave alignment clips in place while fastening moldings to framing or studs.
 4. Secure moldings on 16" centers using fasteners as appropriate to substrate.
 5. Place building paper and wire lath over upper movement installation flange on horizontal installation, and shi lap a minimum of 6". (See Horizontal Installation)
 6. Install wire lath over bottom installation flange of moldings.
 7. Use vinyl or cloth tape specifically manufactured for masking anodized aluminum trim prior to plastering. For painted surfaces, use plastic tape.



SEALANT + CONNECTOR CLIPS

1. The use of sealant at all butt joints and Fry Reglet Connector Clips is recommended.
2. Use Fry Reglet Connector Clips to align molding during installation.
3. Apply sealant as indicated.

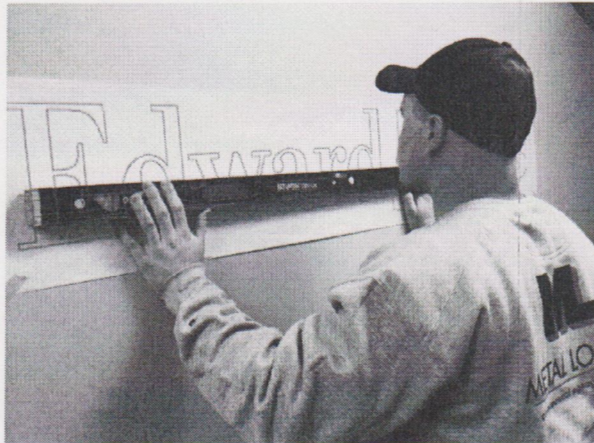


PIN MOUNT INSTALLATION

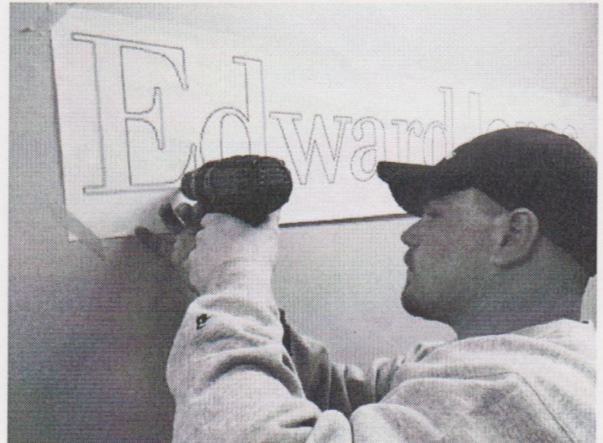
Materials Needed:

- 1 - Level
- 2 - Tape Measure
- 3 - Masking Tape
- 4 - Drill
- 5 - 1/16" Drill Bit

After determining where you want the sign placed on your wall...



1 - Using a level and the "Level Line" on template, tape installation template to the wall using masking tape.



2 - Drill holes in the wall with a 1/16" bit for drywall and 5/64" drill bit for wood paneling. Drill holes as indicated on your template.



3 - Carefully remove template from wall and insert the corresponding letter into the holes you have drilled. Push all the way into the wall using the palm of your hand. (We recommend saving the template for re-use in the future!)

Please call with any questions, we will be happy to assist you!

800-846-5646

Metal Logos - 5853 S. 77th St - Omaha, NE

Feel free to visit our website: www.metallogos.com



METAL LOGOS

architectural signage & more



